

Working modes description:

Three working modes (M1, M2, M3)

1. M1, Green indicator, 5 hours 100% brightness, then 5 hours 30% brightness + PIR (100% brightness maintained for 30 seconds after motion event), then 70% brightness to dawn. THIS SETTING IS THE MOST ENERGY INTENSIVE, PLEASE ENSURE ADEQUATE YEAR ROUND SUNLIGHT AVAILABLE.
2. M2, Orange indicator, fixture will remain constant at 70% to dawn (dusk to dawn);
3. M3, Red indicator, 30% brightness with no motion and 100% brightness maintained for 30 seconds after motion event. THIS SETTING IS THE MOST ENERGY CONSERVATIVE (BEST SETTING FOR LOWER SOLAR RADIATION AREAS)

Press the button to switch the working mode from M1 to M2 or M3, and the corresponding indicator light will turn on to confirm.

Special Notes:

1. Once the solar panel receives sunlight, the fixture will be off and start charging.
2. Do not install the fixture in shaded areas.
3. Do not use the fixture when the environment temperature is above 60°C or below sustained temperatures of -20°C, or battery life will be affected.
4. Do not use non-standard installation accessories to install the fixture, any accident caused will be born by the operator.
5. Choose the appropriate working mode based on local solar radiation. Use M1 and M2 only in areas with high solar radiation.
6. Only trained professionals should install and disassemble fixtures.

Warning:

1. Keep the device away from flame and oil to avoid fire or explosion.
2. Only professional technicians are allowed to disassemble the fixture.
3. It's strictly forbidden to disassemble the battery for personal use.
4. If the fixture doesn't get charged for 7 days, the battery may be out of power, please charge it under bright sunlight.
5. To ensure long life, please clean the solar panel regularly according to the local dust conditions, our suggestion is every 6 months.

CSC LED Solar Street Light Installation and Set Up Instruction

Cautions:

1. Do not connect to an external electrical source.
2. Please abide by local laws and regulations when installing this fixture.
3. To avoid electrical shock and damage, please do not install the fixture when raining.

Application:

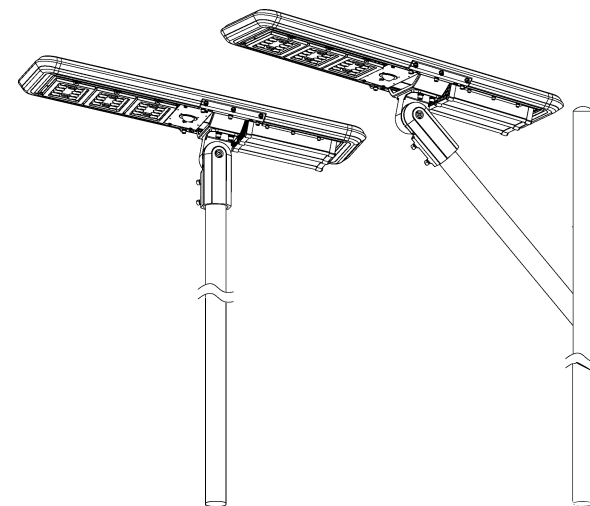
Suitable for industrial lighting, landscape lighting, courtyards, buildings, hotels, building exterior, etc.

Caution:

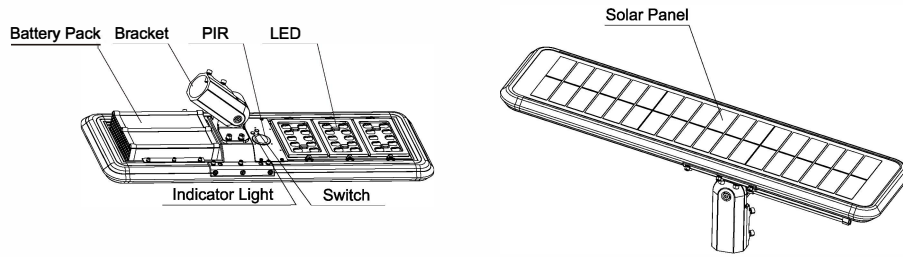
1. When installing the battery, place the positive and negative electrodes correctly.
2. To avoid risk, please use the batteries provided by original manufacturer only.
3. This is a low voltage product, so please don't connect it to the main supply.

Notes:

1. Please install in a location free from shade and exposed to direct sunlight.
2. Ensure fixture is installed on a sufficient angle to allow water drainage.
3. Take care to install with sufficient clearance from other public utility cables or lines.
4. Select sensor setting as required.



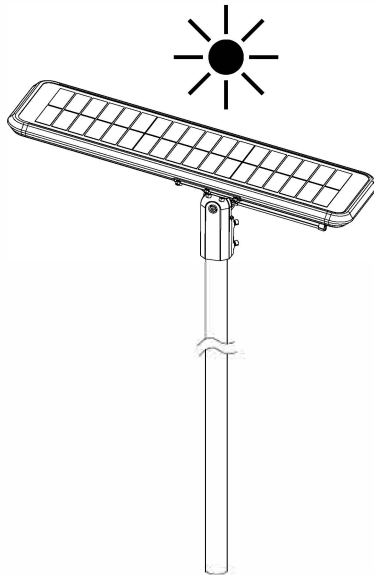
Main Parts



Product Characters					
LED	10W	20W	30W	40W	50W
Solar Panel	Monocrystalline silicon				
Rechargeable Battery	Li-ion Battery				
Material	Aluminum alloy + PC				

Install Caution

Keep the solar panel facing the sun and ensure it receives adequate sunlight.



Installation:

This installation method is suitable for all fixtures in this series.

1. Use an 8MM hex wrench to attach the sliding clamp to the fixture. (Figure 1)
2. Use a 10MM hex wrench to loosen the angle adjustment screw. (Figure 2)

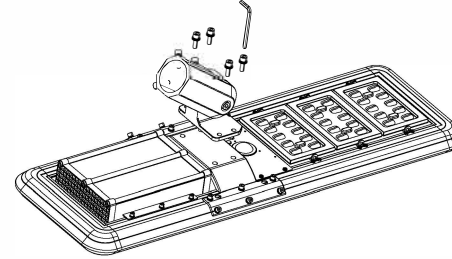


Figure 1

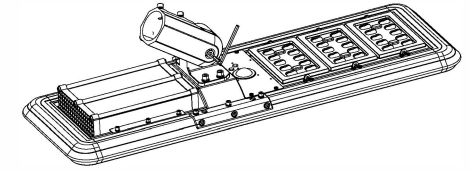


Figure 2

3. Adjust the tilt angle according to the sun in different areas. (Figure 3)
4. Use a 10MM hex wrench to tighten the angle adjustment screw. (Figure 4)

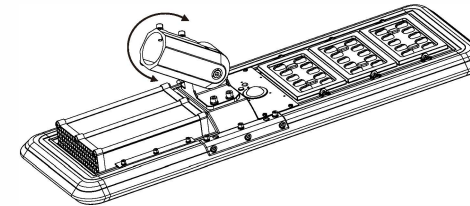


Figure 3

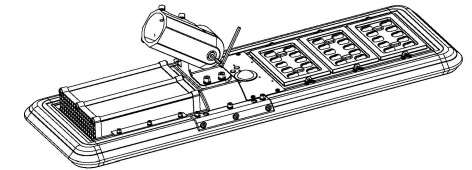


Figure 4

5. Loosen the 4 screws on the sliding clamp, install the fixture on the pole and fix the 4 screws. (Figure 5)



Figure 5

6. Adjust the lighting direction of LED as per your requirement. (Figure 6)
7. Press and hold the switch until the indicator lights up, then continue to press and switch to the desired working mode. (Figure 6)

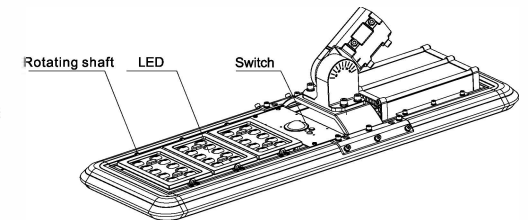


Figure 6