

35W Pole Top Area Light

Elegant look and design, Tunable - 3000K-5000K
Ideal for parking lots, pathways, parks, retail settings, and more

Polyester powder
coat finish (Bronze)

Twist lock photocell receptacle
and photocell included
Shorting cap ordered separately*

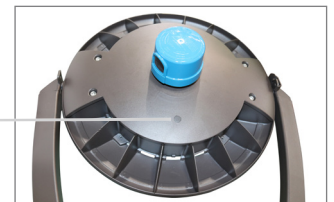
Instant start

High efficiency optics
with Type V distribution

Fits up to 3" OD pole

CCT selector switch

Shorting cap: JL-208



TECHNICAL DATA



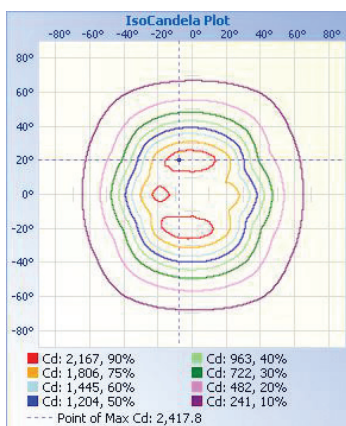
LIGHT SPECIFICATIONS

Lumens	4,725 lm (4000K)
Efficacy	135 lm/W (4000K)
CCT	Tunable, 3000-5000K
CRI	82.3
Distribution	90°
Rated hours (L70)	50,000
Warranty	5-year

APPROVALS AND LISTINGS

cUL	E482965
DLC Premium	TBA

ISOCANDELA PLOT



ILLUMINANCE AT A DISTANCE

Distance	Illuminance at a Distance	
	Center Beam fc	Beam Width
17.0ft	6.76 fc	27.7 ft 20.6 ft
34.0ft	1.69 fc	55.4 ft 41.3 ft
51.0ft	0.75 fc	83.2 ft 61.9 ft
68.0ft	0.42 fc	110.9 ft 82.6 ft
85.0ft	0.27 fc	138.6 ft 103.2 ft
102.0ft	0.19 fc	166.3 ft 123.9 ft

■ Vert. Spread: 78.4°
■ Horiz. Spread: 62.5°

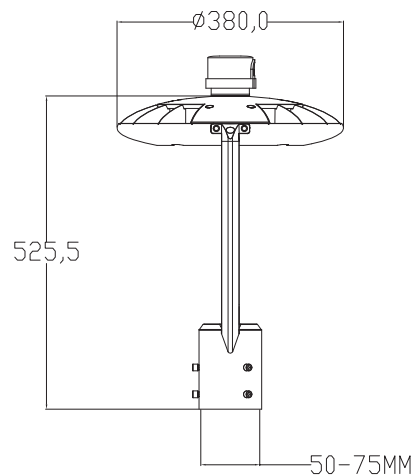
ELECTRICAL

Wattage	35W
Voltage	120-277V
Power factor	0.96
THD	≤20%
Operating temp	-40° to 60° C

CONSTRUCTION

Housing	Aluminum alloy
Finish	Polyester powder coat
Colour	Bronze
IP rating	IP65
Weight	14.33 lbs
Carton qty	1

DIMENSIONS



While all data is accurate at the time of publishing, it can be subject to change due to constant product improvement