



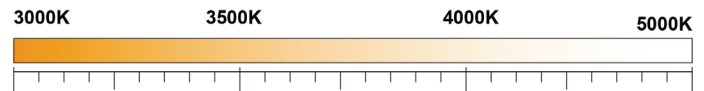
Tunable Panel Lights



- Wireless control of light level and colour temperature
- Fully dimmable
- Use the remote control to control one panel, multiple panels, or a whole floor
- Affordably priced to sell
- 5-year manufacturer warranty

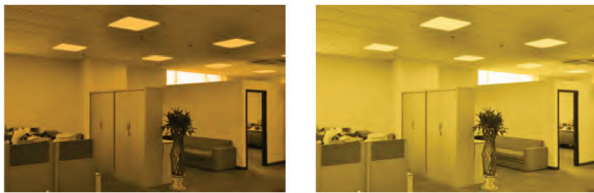


3000K - 5000K

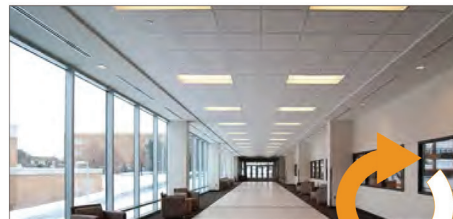
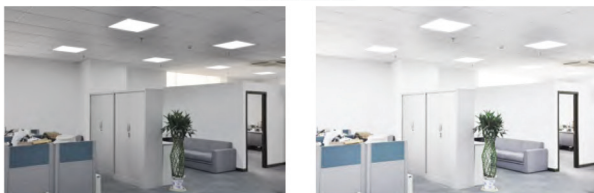


- and everything in between!

2.4G Wireless Tunable CCT Dimmable LED Flat Panel



Remote control is capable of grouping in four zones. Unlimited number of fixtures can be added to each zone.



Easy to install and operate!

Dim using preset levels (75%, 50%, 25%) or in increments using up / down arrow keys.





Tunable Panel Lights



Product #	PLT14-40W	PLT22-40W	PLT24-50W
Dimensions	1 x 4 (255 x 1168 mm)	2 x 2 (603 x 603 mm)	2 x 4 (603 x 1213 mm)
Watts	40W	40W	50W
Voltage	120-277V	120-277V	120-277V
Adjustable colour	3000K - 5000K	3000K - 5000K	3000K - 5000K
Dimmable	Yes	Yes	Yes
Control frequency	2.4 GHz	2.4 GHz	2.4 GHz
Lumens	4,308	4,082	5,760
L70 life	60,000 hrs	60,000 hrs	60,000 hrs
Power factor	0.91	0.94	0.92
CRI	83.1	81.4	82.1
Light guide plate	PMMA	PMMA	PMMA
Finish colour	White	White	White
Carton Qty	4	4	2
DLC listed	PLO6JOL29TL9	PLKANODW90UI	PLX44INFDMGV

Accessories

Suspension Kits

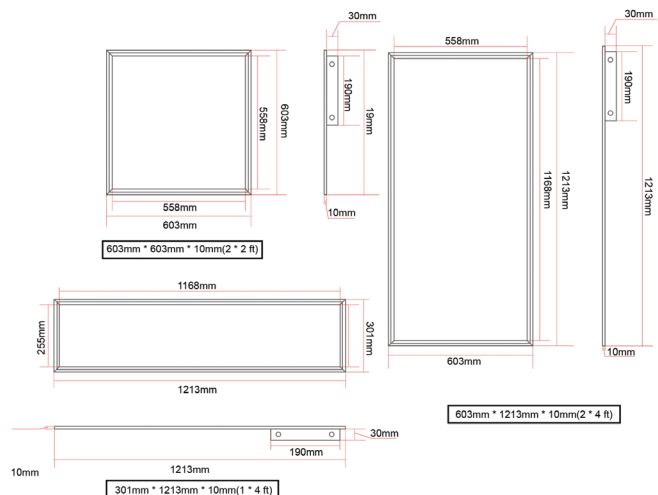
- PLT14/24-SUSKIT Suspension Kit (1x4 / 2x4)
- PLT22-SUSKIT Suspension Kit (2x2)

Surface Mount Kits

- PL14-SK Surface Mount Kit (1x4)
- PL22-SK Surface Mount Kit (2x2)
- PL24-SK Surface Mount Kit (2x4)

Remote Controls

- PLT-HH-REMOTE Hand Held Remote
- PLT-HH-REMOTE-BRK Wall Bracket for Hand Held Remote
- PLT-WM-REMOTE Wall Mounted Remote





NOTE: Uneven dimming can occur below 10%

ON OFF	ON Turn On OFF Turn Off		
ID	Sync Remote with Panel(s) Press and hold the ID button and the light on the remote will come on. Continue to hold the ID button and power the panel(s). When the panel(s) flicker the sync is complete.		
ID + ▼	Release the Code and Disconnect Light from Remote Control Continue pressing the ID button and down arrow together, the light will flash to finish releasing the code.		
1 2 3 4	Zoning Selection (optional) Only after the above is complete, you can assign groups of lights into four or less zones. Turn off lights, press the desired zone button for three seconds, then turn on the lights to complete the zone programming.		
⏸	Time Delay Off Press the icon shown to the left, and the lights will shut off after ten seconds. Press the on button anytime to cancel the delay function.		
ALL	All Zones are Selected		
Colour Temperature Selecting and Saving After selecting the desired colour temperature, press the Off button, then turn on the light to save the colour temperature to memory.			
5000K	4000K	3500K	3000K
25% brightness	50% brightness	75% brightness	100% brightness
▲ Increase brightness	▼ Decrease brightness	⌚ Decrease color temperature	▶ Increase color temperature

Note:
If an externally hard wired 0-10V dimmer is used, it will be detected automatically by the fixture.

Wall Mounted Remote Pairing and Operation

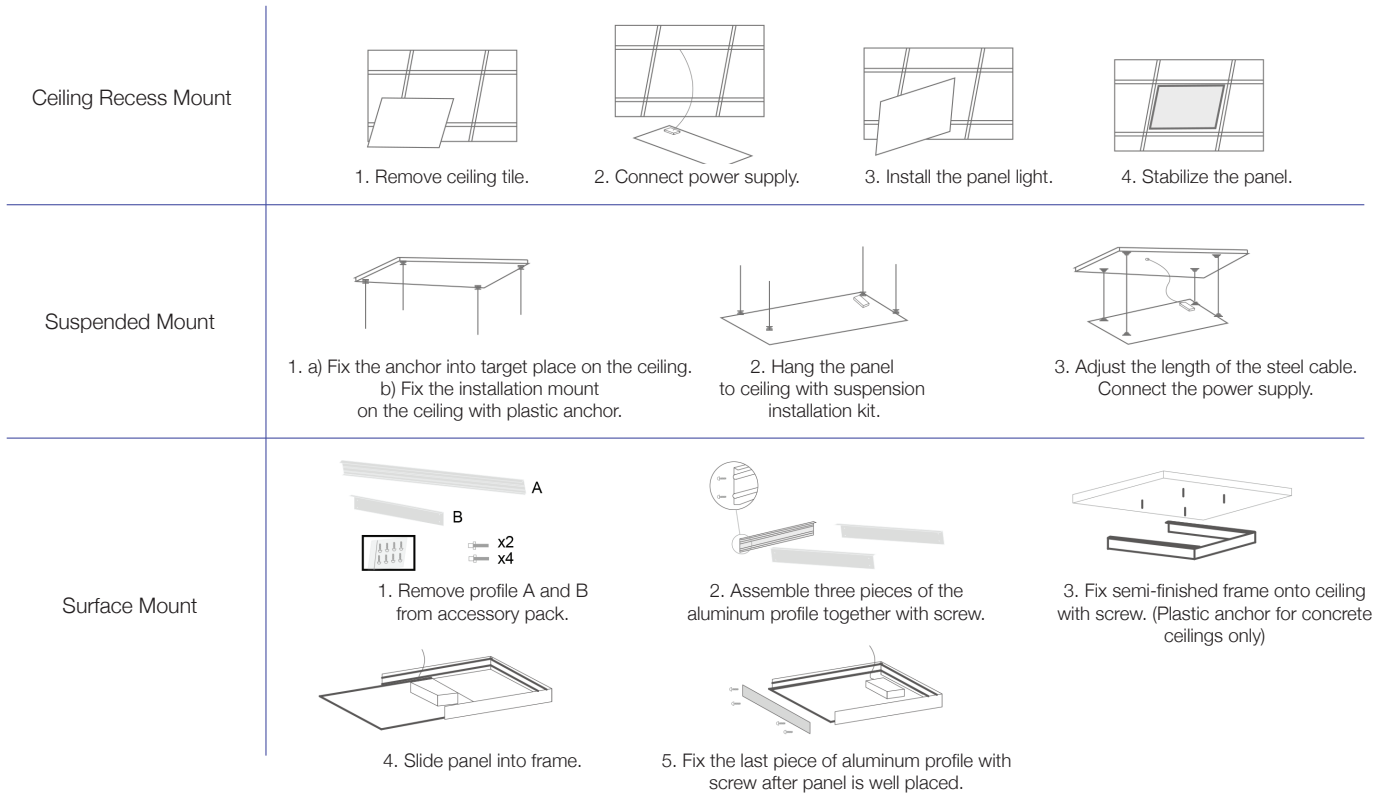


ON OFF	ON Turn On OFF Turn Off
ON + OFF	Sync Remote with Panel(s) To sync the wall mounted remote with the panel light(s), press and hold the ON and OFF buttons simultaneously. The indicator will light up on the remote. Power the panel(s), when they flicker, the sync is complete.
B	Brightness Adjustment
CCT	Colour Temperature Selection Press the CCT button to select the colour temperature (3000K / 3500K / 4000K / 5000K). After releasing the button, colour temperature selection will be saved.

Hand Held Remote / Wall Mount Remote Settings

NO	Grouping	Hand-hold controller	Wall-type controller
1	1	1 + ID	ON+CCT
2	2	2 + ID	ON+CCT
3	3	3 + ID	ON+CCT
4	4	4 + ID	ON+CCT
5	ALL	ALL + ID	ON+CCT

Note:
After ten seconds of no operation, remote will enter a standby power saving mode. To adjust, press the ON button and wait for the flash indicator to proceed.



Wiring Instructions

Wiring with 0-10V Dimmable Driver

