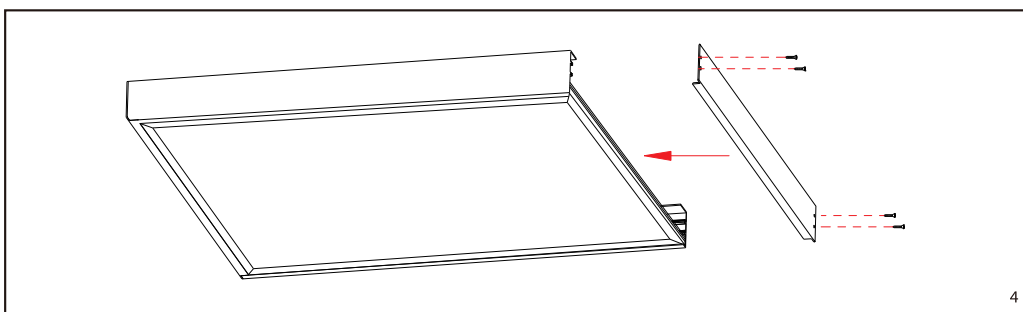
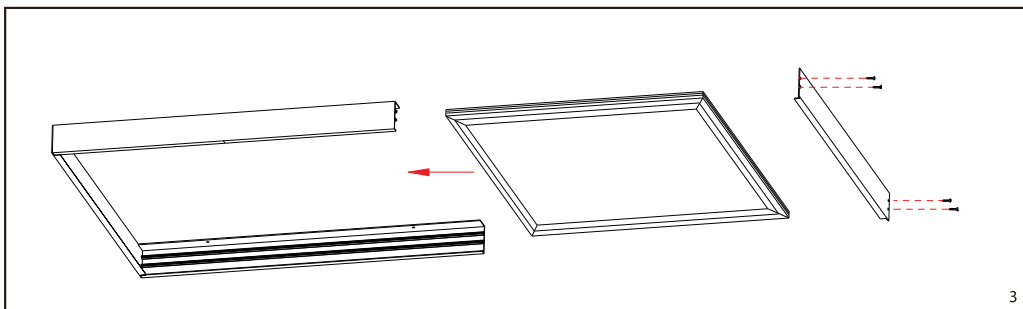
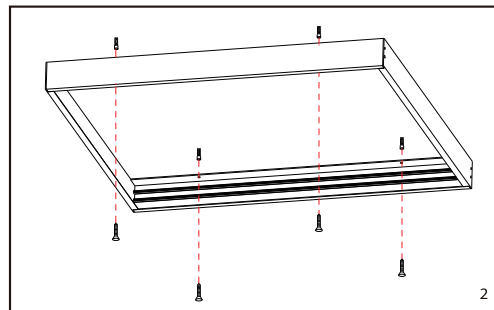
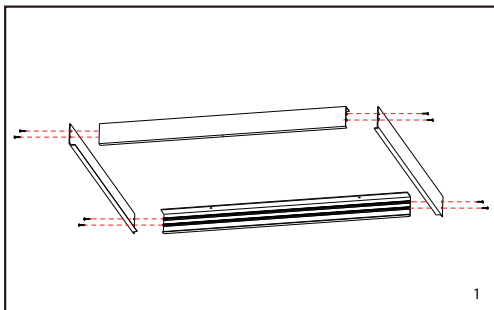


1x4	#PL14-SK
2x2	#PL22-SK
2x4	#PL24-SK

LED Panel Light Surface Mount Kits

Please read instructions before commencing installation and retain these instructions for future reference.



1. Put the four pieces of the frame together and attach with screws.
2. Fix the frame onto the wall with screws.
3. Dismantle one piece of the frame and insert the LED panel into the frame.
4. Re-assemble the frame.

Note:
The drivers and connector must be attached to the back of the LED panel with adhesive tape.

Electrical products can cause death or injury and/or damage property.

Installation must be carried out by a qualified electrician.

Providers of Industrial and Commercial Lighting for the Wholesale Industry

• Comprehensive lighting solutions • Superior service • Competitive pricing

P: 519.880.9833 888.900.9885 E: info@csc-led.com orders@csc-led.com