

150W Flood Light



Ideal for outdoor applications such as parking lots, construction sites, storage and rail yards, industrial locations, marinas, billboard/sign illumination and more



TECHNICAL DATA



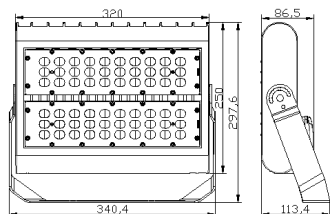
LIGHT SPECIFICATIONS

Lumens	18,167
Efficacy	124.26 lm/W
CCT	5000K
Beam angle	90 x 120°
CRI	82.7
Dimmable	0-10V dimmable
Rated hours	50,000
Warranty	10-year

APPROVALS AND LISTINGS

cUL	E352127
DLC	PF92E7FC

DIMENSIONS



ELECTRICAL

Wattage	150W
Voltage	277-480V
Power factor	0.96
THD	6.41
Operating temp	-40° to 55°C

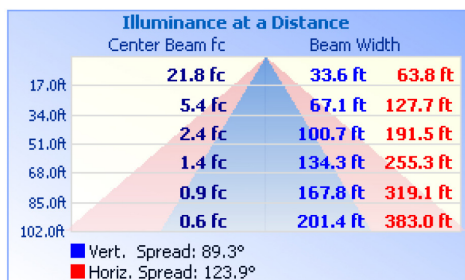
CONSTRUCTION

Housing	Aluminum
Finish	6mm, powder coat
Colour	Matte black
IP rating	IP65
Weight	13.4 - 14.4 lbs
Carton qty	1

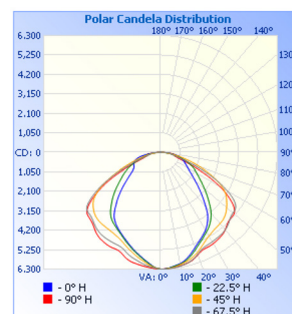
NOTES

1m-cUL listed cable included

ILLUMINANCE AT A DISTANCE



PHOTOMETRIC SPECS



Product #

FL01H-150W-TR

WITH TRUNNION

Lumiled
Chips

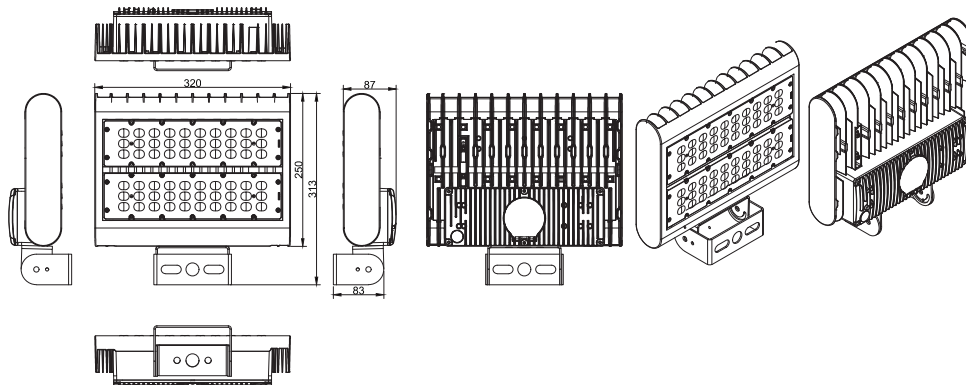
Large Thermal
Dissipation Area



High Grade
Polycarbonate
Optics (Type 3)

DIMENSIONS

Fixture



Product #

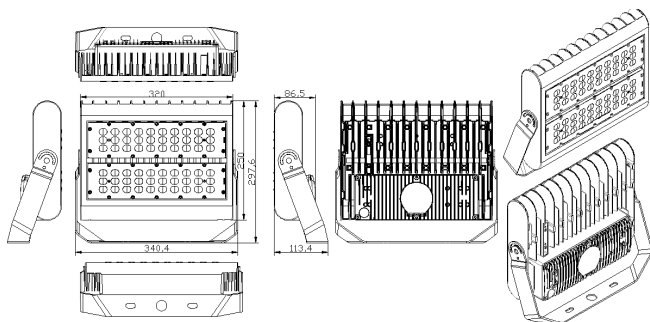
FL01H-150W-HA

WITH HORIZONTAL ARM

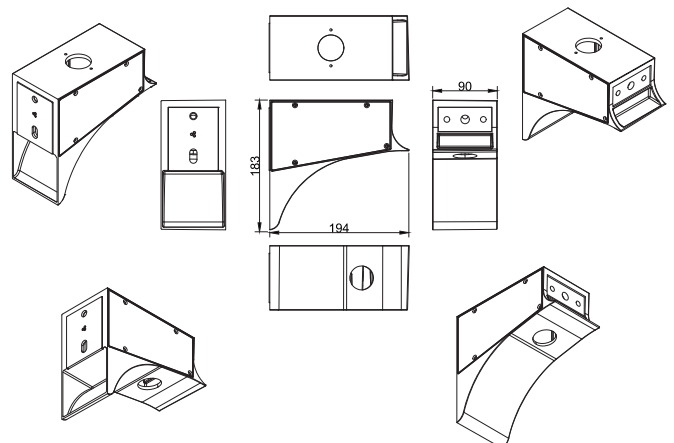


DIMENSIONS

Fixture



Horizontal Arm



Product # **FL01H-150W-SF**

WITH SLIP FITTER



DIMENSIONS

