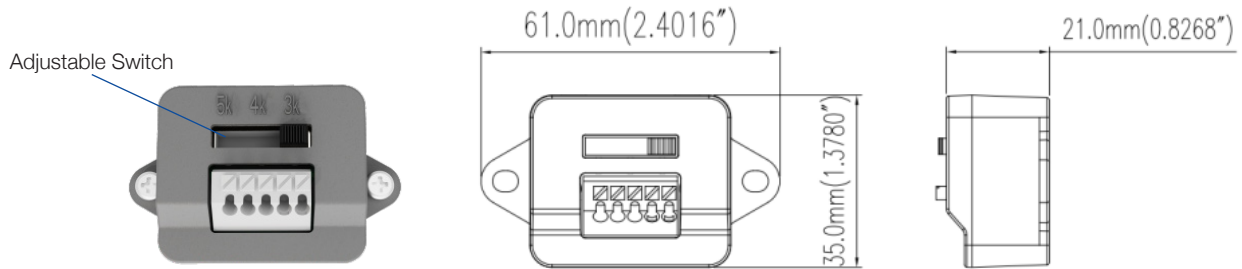


CCT Tunable Instructions

The WPX CCT adjustable switch provides 3 colour temperature options (3000K, 4000K, 5000K).



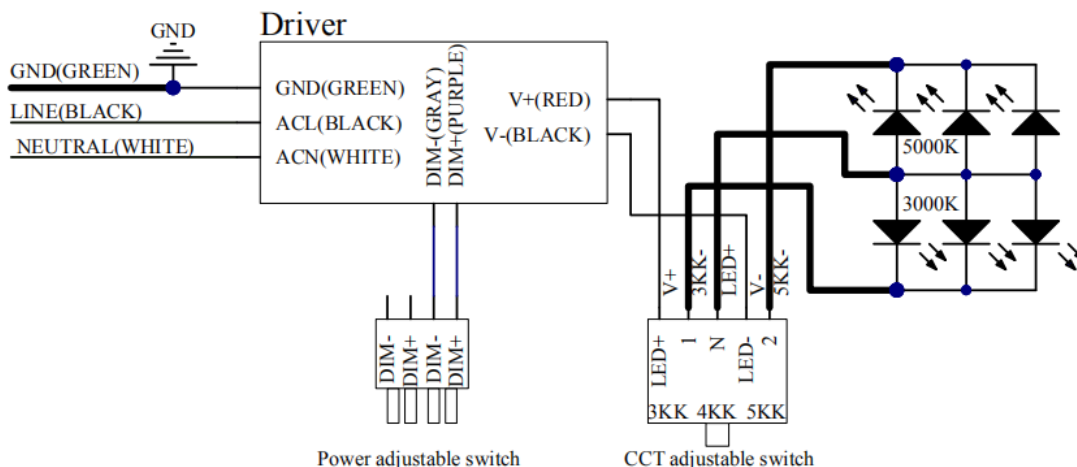
SPECIFICATIONS

CCT Adjustable:	3000K, 4000K, 5000K
Electrical Life:	2,000 cycles typical
Insulation Resistance:	> 100MΩ min
Operating Temp:	-20°C to 70°C
Storage Temp:	-40°C to 85°C

INSTRUCTIONS

1. Loosen screws and open the door to setting area.
2. Slide the "**Adjustable Switch**" left or right to choose the desired CCT.
3. Make sure that wires are not pinched and that the door gasket did not move from original position. It must sit properly in the groove on the door.
4. Reinstall the door, tighten the screws.

WIRING CONNECTION



NOTE: Installation, wiring and performing any maintenance on the fixture must be done in accordance with the local code by a professional who is familiar with the construction, hazards, and operation of the product.