

## WARNINGS



### RISK OF FIRE, ELECTRICAL SHOCK, CUTS OR OTHER CASUALTY HAZARDS

Installation and maintenance of this product must be performed by a qualified electrician. This product must be installed in accordance with the applicable installation code by a person familiar with the construction and operation of the product and hazards involved.

### RISK OF FIRE AND ELECTRIC SHOCK

Make certain power is OFF before starting installation or attempting any maintenance. Disconnect power at fuse or circuit breaker.

### RISK OF FIRE

Refer to product label for specific minimum supply conductor requirements.

### RISK OF BURN

Disconnect power and allow fixture to cool before handling or servicing.

### RISK OF PERSONAL INJURY

Fixture may become damaged and/or unstable if not installed properly.

**DISCLAIMER OF LIABILITY:** CSC LED assumes no liability for damages or losses of any kind that may arise from the improper, careless, or negligent installation, handling or use of this product.

**NOTICE:** Green ground wire is provided in proper location. Do not relocate.

**SAFETY:** This fixture must be wired in accordance with the National Electrical Code and applicable local codes and ordinances. Proper grounding is required to ensure personal safety. Carefully observe grounding procedure under installation section.

**APPLICATIONS:** This lighting fixture is designed for indoor lighting applications, and should not be used in an area with limited ventilation or inside high ambient temperature enclosures. It must be stored in a dry location prior to installation.

**ATTENTION RECEIVING DEPARTMENT:** Note actual fixture description of any shortage or noticeable damage on delivery receipt. File claim for common carrier (LTL) directly with carrier. Claims for concealed damage must be filed within 15 days of delivery. All damaged material, complete with original packaging must be retained.

## SURFACE MOUNT INSTALLATION

1. Drill the fitting holes at the place of installation (wall/ceiling). Make sure that no cables or other lines are passing at the place of drilling (Fig. 1)
2. Attach brackets to ceiling/wall using screws and secure the back of the luminaire's housing into the mounting brackets (Fig. 2)
3. Ensure the LED tray is secured with the safety tethers (Fig. 3), Let the LED tray hang down from tray bracket
4. Make electrical connections (See *Wiring Instruction*)
5. Bring LED tray back into housing and secure by snapping in place using tray brackets (Fig. 4)
6. Attach lens cover and secure using latches (Fig. 5)
7. Restore power to the luminaire (Fig. 6)

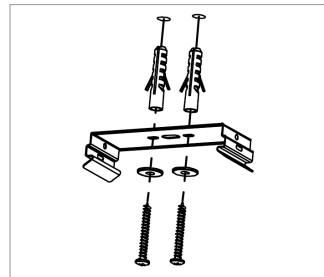


Fig. 1



Fig. 3

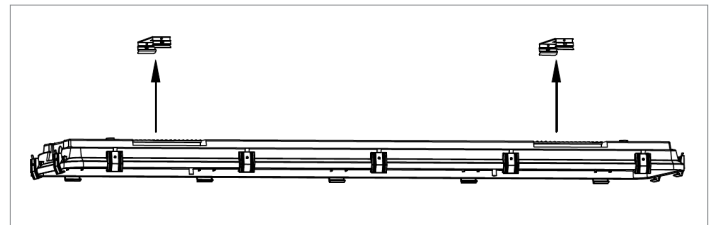


Fig. 2

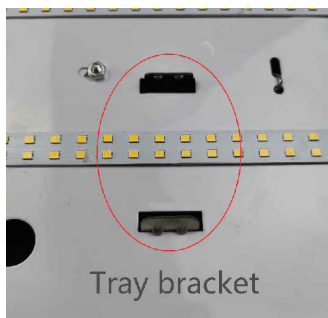


Fig. 4

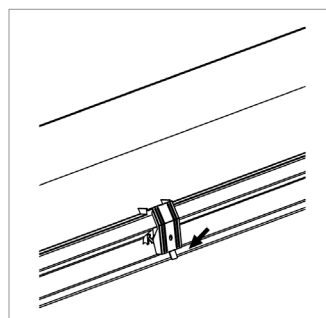


Fig. 5

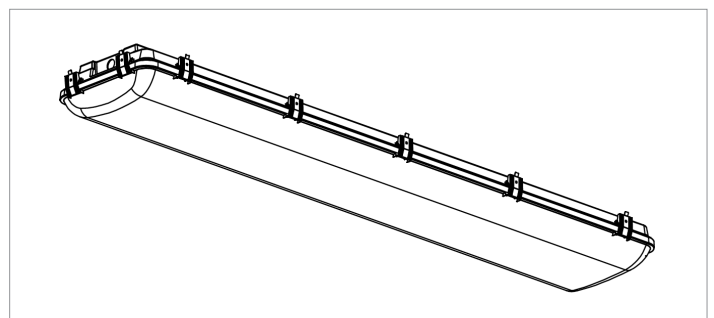


Fig. 6

## WIRING INSTRUCTION

Make the necessary wiring connections as shown in the wiring diagram (Fig. 7).

The polarity of the dimming connections is important to ensure the performance as desired.

**If not using the dimming functionality, DO NOT connect the Driver Dim+ (Violet) and the Driver DIM- (Gray).** Insert liquid tight conduit (*not included*) and liquid tight conduit fitting into desired conduit hole located on the end of the housing. Insert supplied plug into unused conduit hole.

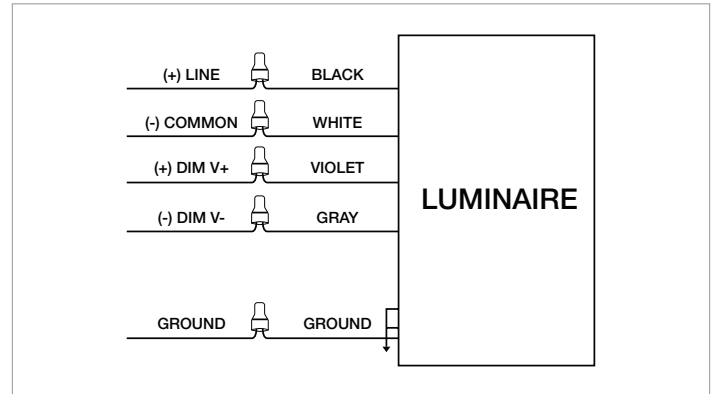
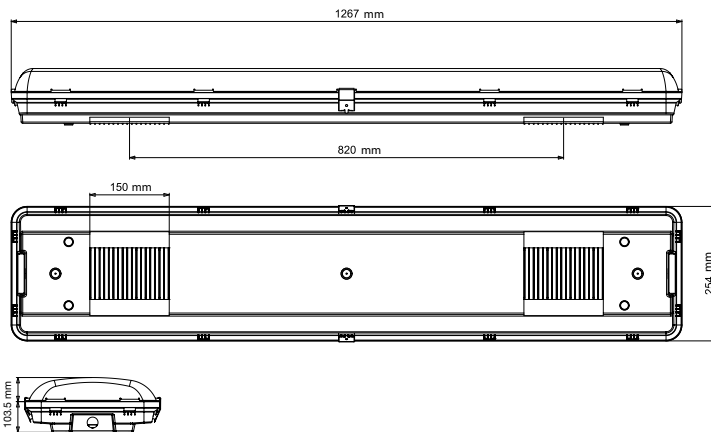


Fig. 7

## DIMENSIONAL DRAWING



Questions  
or Concerns?  
We are happy to help!

Email Us: [info@csc-led.com](mailto:info@csc-led.com)  
Call Us: 1-888-900-9885