

# Dual-Head Security Light

20W | 5000K | 120V

With Motion Sensor

3 Operating Modes: On/Off; Motion On/Off; Dusk-to-Dawn

Lampshield Provides  
Bulb Protection

Adjustable Arm for  
Aiming Motion Sensor

Swivel Arm Design  
Allows Directional Light



180° Motion  
Detection Zone

All-metal Housing  
for Rugged Durability

Also Available in White: (SS-HG70-20W)



## TECHNICAL DATA



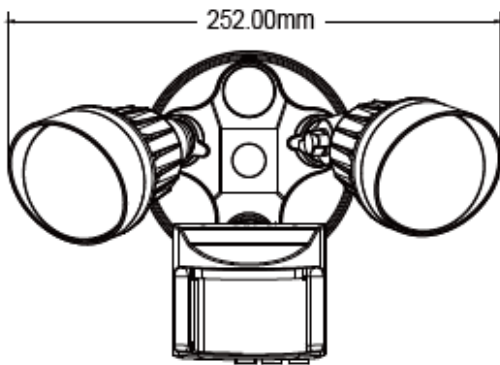
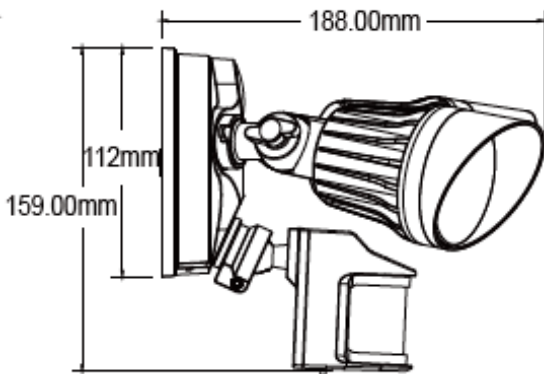
### LIGHT SPECIFICATIONS

Lumens	1,815
Efficacy	91 lm/W
CCT	5000K
CRI	80
Rated hours	50,000
Warranty	3-year

### APPROVALS AND LISTINGS

CETL	5002143
------	---------

### DIMENSIONS



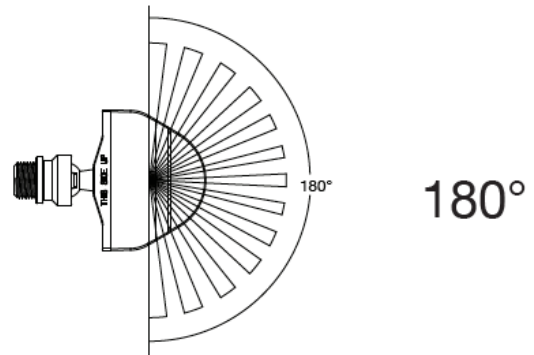
### ELECTRICAL

Wattage	20W
Voltage	120V
Power factor	0.90
THD	13%
Operating temp	-30 to 40°C

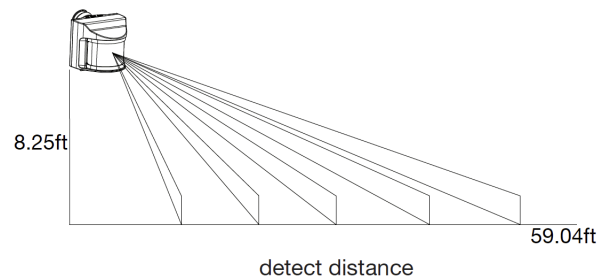
### CONSTRUCTION

Housing	Aluminum
Finish	White
IP rating	IP65
Weight	2 lbs
Carton qty	8

### DETECTION ZONE



### MOTION DETECTION



HEAD OFFICE: 8 - 540 Jamieson Pkwy, Cambridge, ON, N3C 0G5 | [orders@csc-led.com](mailto:orders@csc-led.com) | (519) 880 - 9833