





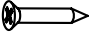
Surface Mount Kit

for 1x4, 2x2, 2x4 Backlit Panel Light

INSTALLATION INSTRUCTIONS

IMPORTANT:

- **PLEASE READ THIS INSTRUCTIONS CAREFULLY BEFORE COMMENCING INSTALLATION AND RETAIN FOR FUTURE REFERENCE.**
- Electrical products can cause death, injury and/or damage to property.
- To avoid electric shock, be certain electrical power is OFF before and during installation and maintenance.
- If you have any concerns about the installation or use of this product, consult a qualified electrician.

SURFACE MOUNT KIT ACCESSORIES					
					
ITEM	Frame A	Frame B	KA4*12 Cross countersunk head self tapping screw	Anchor	ST4.2*30 Cross countersunk head self tapping screw
QTY	2 pcs	2 pcs	12 pcs + 2 pcs spare screws	2x2 panel: 4 pcs + 1pc spare anchor 1x4, 2x4 panel: 6 pcs + 1pc spare anchor	2x2 panel: 4 pcs + 1pc spare screw 1X4, 2x4 panel: 6 pcs + 1pc spare screw

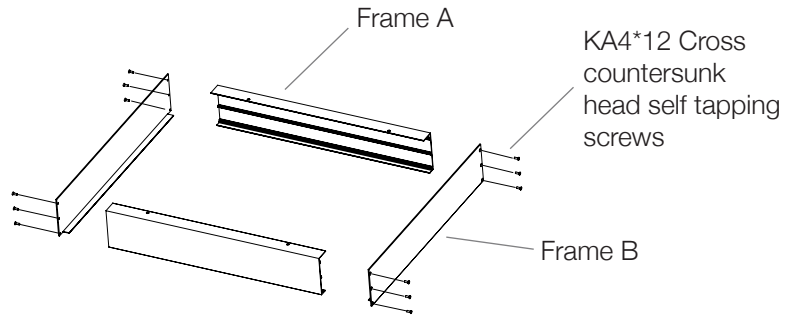
SURFACE MOUNT KIT ORDER CODE	BACKLIT PANEL LIGHT ORDER CODE (SOLD SEPARATELY)	BACKLIT PANEL LIGHT SIZES (FT)
PLBL14-SK	PLBL14-40W-35K-UD PLBL14-40W-40K-UD PLBL14-40W-50K-UD	1 x 4
PLBL22-SK	PLBL22-40W-35K-UD PLBL22-40W-40K-UD PLBL22-40W-50K-UD	2 x 2
PLBL24-SK	PLBL24-50W-35K-UD PLBL24-50W-40K-UD PLBL24-50W-50K-UD	2 x 4

Surface Mount Kit Installation Instructions:

Installation must be carried out by a qualified professional.

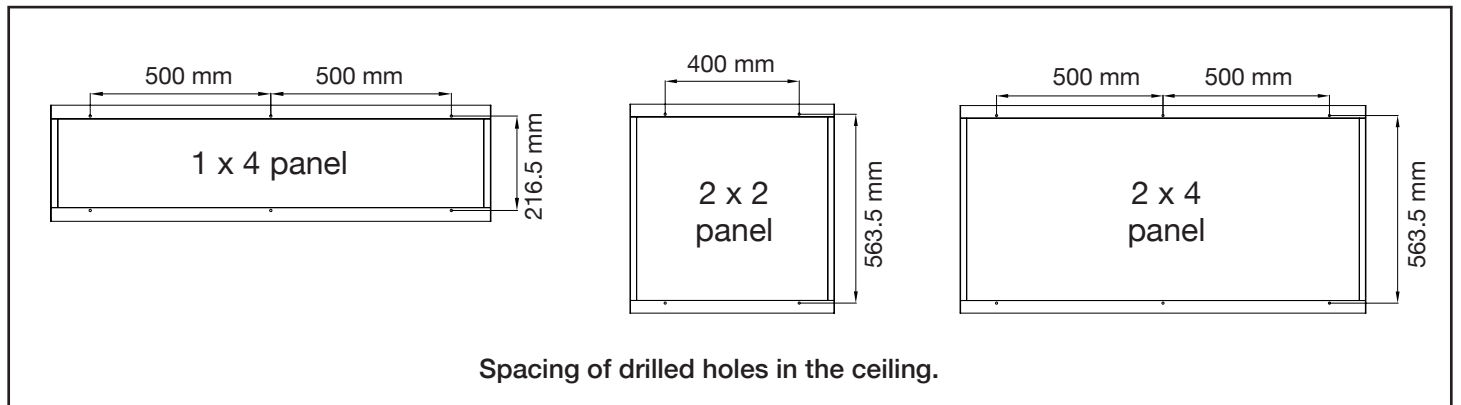
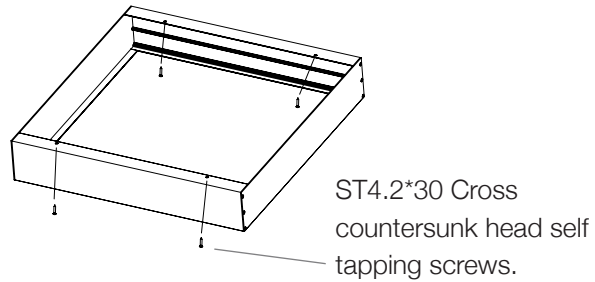
STEP 1

Put the four-piece surface mount kit together by using KA4*12 Cross countersunk head self tapping screws.



STEP 2

Drill two holes in the ceiling, insert the anchors into holes, then screw it with ST4.2*30 Cross countersunk head self tapping screws. Ensure the frame is square.

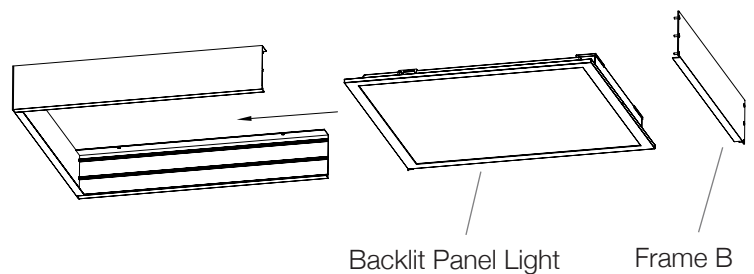


STEP 3

Unscrew and remove one piece of Frame B and slide the panel into the surface mount frame.

Make electrical connection from the incoming power to the LED fixture driver.

Reattach Frame B to the fixture.



STEP 4

The installation is complete.

