

## WARNINGS



### RISK OF FIRE, ELECTRICAL SHOCK, CUTS OR OTHER CASUALTY HAZARDS

Installation and maintenance of this product must be performed by a qualified electrician. This product must be installed in accordance with the applicable installation code by a person familiar with the construction and operation of the product and hazards involved.

### RISK OF FIRE AND ELECTRIC SHOCK

Make certain power is OFF before starting installation or attempting any maintenance. Disconnect power at fuse or circuit breaker.

### RISK OF FIRE

Refer to product label for specific minimum supply conductor requirements.

### RISK OF BURN

Disconnect power and allow fixture to cool before handling or servicing.

### RISK OF PERSONAL INJURY

Fixture may become damaged and/or unstable if not installed properly.

**DISCLAIMER OF LIABILITY:** CSC LED assumes no liability for damages or losses of any kind that may arise from the improper, careless, or negligent installation, handling or use of this product.

**NOTICE:** Green ground wire is provided in proper location. Do not relocate.

**SAFETY:** This fixture must be wired in accordance with the National Electrical Code and applicable local codes and ordinances. Proper grounding is required to ensure personal safety. Carefully observe grounding procedure under installation section.

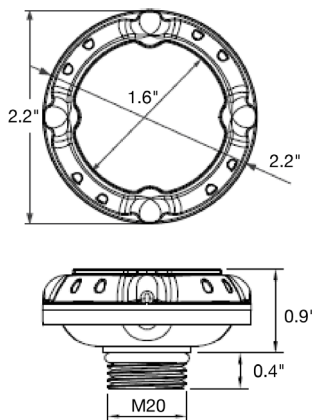
**APPLICATIONS:** This lighting fixture is designed for indoor lighting applications, and should not be used in an area with limited ventilation or inside high ambient temperature enclosures. It must be stored in a dry location prior to installation.

**ATTENTION RECEIVING DEPARTMENT:** Note actual fixture description of any shortage or noticeable damage on delivery receipt. File claim for common carrier (LTL) directly with carrier. Claims for concealed damage must be filed within 15 days of delivery. All damaged material, complete with original packaging must be retained.

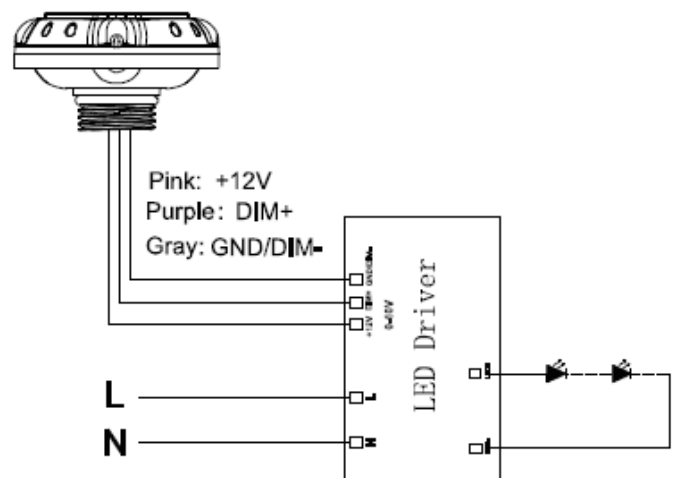
**Remote control (HB01R) is REQUIRED for operation and must be purchased separately**

**NOTE:** Please remove the white plastic which the protects the sensor's pins during shipping and ensure that the pins are making full contact with the circular receptacle on the luminaire. **Do not overtighten** when installing the sensor.

## DIMENSIONAL DRAWING

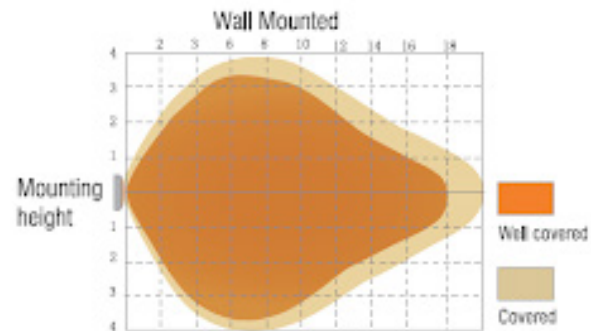
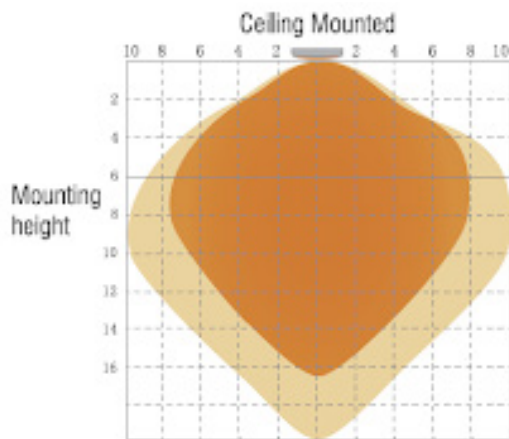


## WIRING DIAGRAM



**NOTE:** When both a sensor and a 0-10V dimmer is connected to the luminaire, the brightness of the luminaire will be set to the lowest brightness setting. For example, if the dimmer switch is set at 70% and the sensor's brightness is set at 50%, the luminaire's brightness will be set to 50%.

TECHNICAL DATA	
Operating Voltage	12±2V DC
Operating Current	30mA
Output	DIM 0-10V
Stand-by Power	<0.5W
Brightness	0%-100% / Quick Setting: 70%/80%/90%/100%
Sensitivity	20% / 50% / 75% / 100%
Hold Time	10s / 1 min / 10 min / 30 min
Daylight Threshold	10Lux / 30Lux / 50Lux / 100Lux / Disable
Stand-by Time	1 min / 30 min / 60 min / +∞
Stand-by Dimming Level	10% / 20% / 30% / 50%
Microwave Frequency	5.8GHz ± 75MHz
Microwave Power	<0.5mW
Detection Angle	30-150°
Control Line	Pink: +12V Purple: DIM+ Gray: GND/DIM-
Mounting Height	Max 15m (ceiling mounted)
Detection Range	Max ø15m (ceiling mounted) Max 20m (wall mounted)
Operating Temperature	-30°C - +60°C
IP Rating	IP65



## TIPS/RECOMMENDATIONS

- Be cautious if installing this sensor in areas with a large presence of metal (such as walls or machinery). Microwaves can reflect off metal surfaces and can potentially lead to false detection of movement.
- In order to test the Sensitivity level, keep the Hold Time and Stand-By Time low so that the full cycle can quickly be observed. Once the sensitivity is confirmed through testing, the Hold Time and Stand-By time can be set to the desired levels.
- It is recommended to start on a lower Sensitivity setting and increase as needed. Microwaves can pass through most non-metal materials (including drywall and wood) and could detect motion on the other side of walls if the sensitivity is set too high.
- For indoor applications the Daylight Sensor is typically not used and should be disabled.

