

High Bay

300W | 5000K | 277-480V



HB7B

HB7B series High Bay
Ideal for warehouses, factories, and workshops



Accessories (Ordered Separately):
Motion Sensor, Motion Sensor Remote,
Frosted Lens, Yoke Mount, Wire Guard



HB7B-WG-HG



HB7B-FR-LENS-HG



HB7B-YK-HG



HB7B-SENSOR



HB7B-REMOTE

TECHNICAL DATA



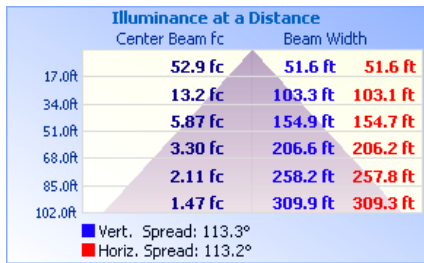
LIGHT SPECIFICATIONS

Lumens	43, 272 lm
Efficacy	144.5 lm/W
CCT	5000K
CRI	80
Beam Angle	120°
Dimmable	0-10V
Warranty	5-year

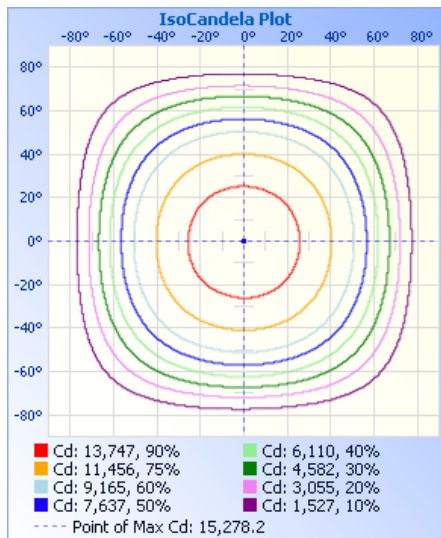
APPROVALS AND LISTINGS

cUL	E482965
DLC Premium	PLTBUY4FEZ2X

ILLUMINANCE AT A DISTANCE



ISOCANDELA PLOT



ELECTRICAL

Wattage	300W
Voltage	277-480V
Power Factor	0.9
THD	15%
Operating Temp	-40 to 50°C

CONSTRUCTION

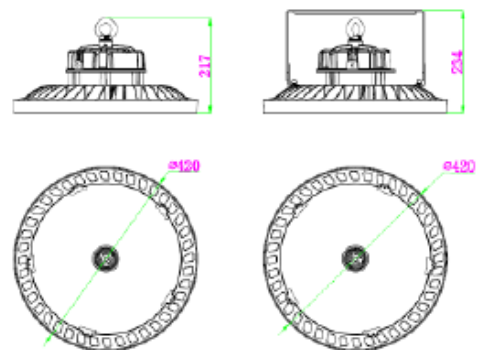
Housing	Aluminum alloy
Cover	Tempered glass
Finish	Black
IP Rating	IP65
Net Weight	6.8 kg
Carton Qty	1
Carton Weight	8.5 kg
Carton Dimensions	442x 442 x 206 mm

ACCESSORIES (Ordered Separately)

Motion Sensor	HB7B-SENSOR
Motion Sensor Remote	HB7B-REMOTE
Yoke Mount	HB7B-YK-HG
Frosted Lens	HB7B-FR-LENS-HG
Wire Guard	HB7B-WG-HG

Note: HB7B-SENSOR will dim the fixture to 10%, but will **not** turn the fixture fully off.

DIMENSIONS



Western Canada Warehouse: 121-1647 Broadway Street, Port Coquitlam, BC V3C 6P8 | ordersbc@csc-led.com