

Motion Sensor HB01DMS-C Installation Instructions

Remote Control (HB01R) is REQUIRED and must be ordered separately. Suitable for CWP04.



On/Off Control



Motion Detection



Hold Time



Daylight Sensor



Stand-by Period



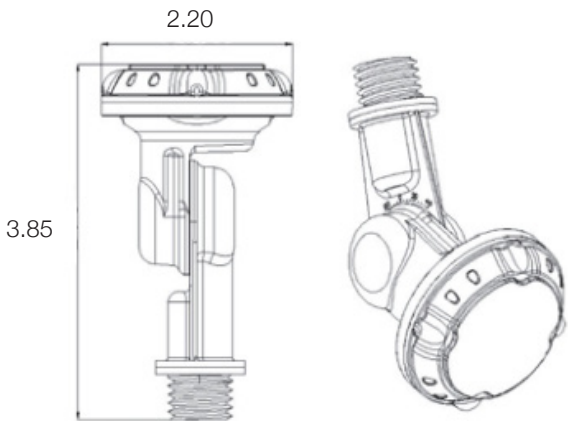
Stand-by Dimming



Remote Control



10-15M Highbay altitude



UNIT: INCHES



**MOTION SENSOR
HB01DMS-C**

TECHNICAL DATA

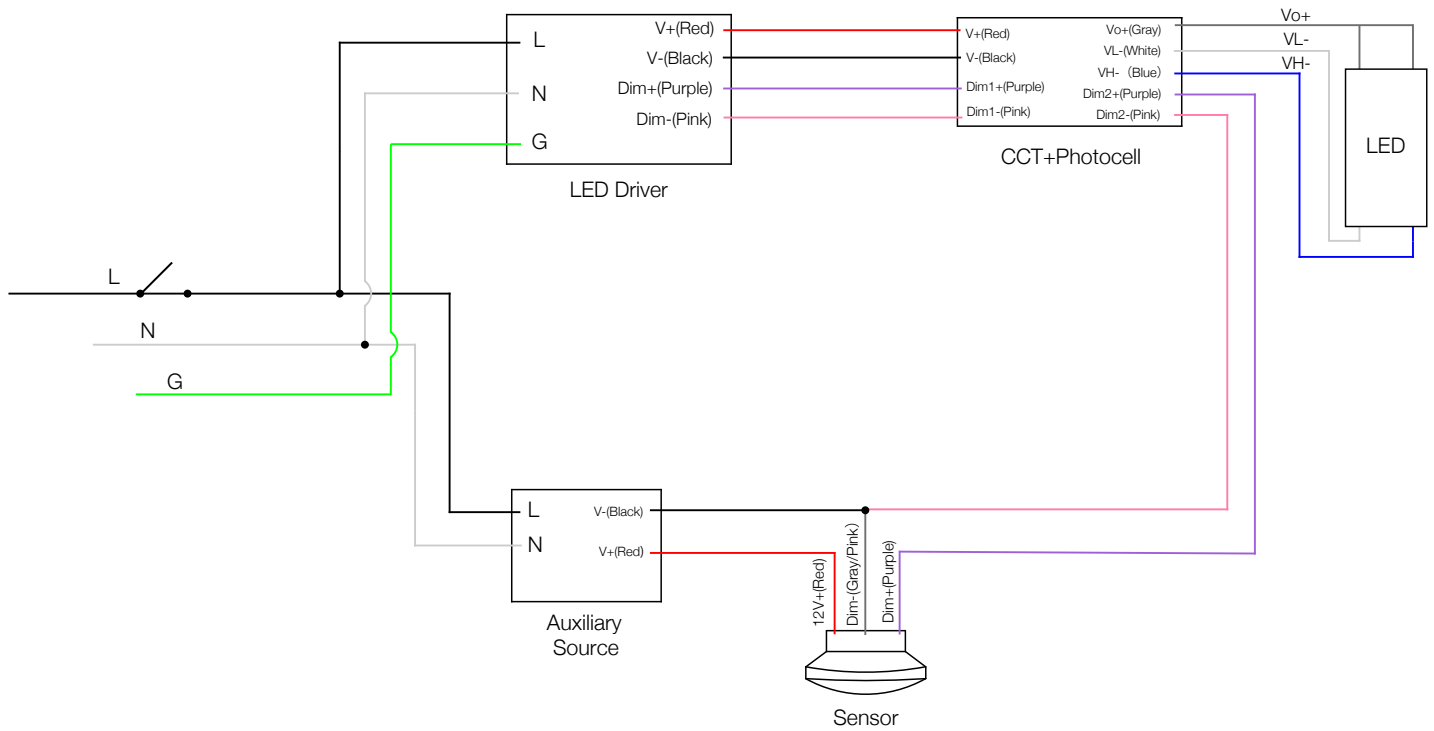
Universal Input Voltage	12±2V DC
Operating Current	30mA
Output	DIM 0-10V
Stand-by Power	< 0.5W
Brightness	70%, 80%, 90%, 100%
Sensitivity	25%, 50%, 75%, 100%
Hold Time	10s, 1 min, 10 mins, 30 mins
Daylight Threshold	10Lux, 30Lux, 50Lux, 100Lux
Stand-by Period	1 min, 30 mins, 60 mins, +∞
Stand-by Dimming Level	10%, 20%, 30%, 50%
Microwave Frequency	5.8GHz±75MHz
Microwave Power	<0.5mW
Detection Angle	30-150°
Control Line	Pink: +12V ; Purple: DIM +; Gray: GND/DIM-
Mounting Height	Max.15m(ceiling mounted)
Detection Range	∅15m(ceiling mounted) Max.20m(wall mounted)
Operating Temperature	-25°C to 60°C
IP Rating	IP65

ACCESSORY REQUIRED (ORDERED SEPARATELY)

**Remote Control for
HB01DMS-C
Order Code: HB01R**

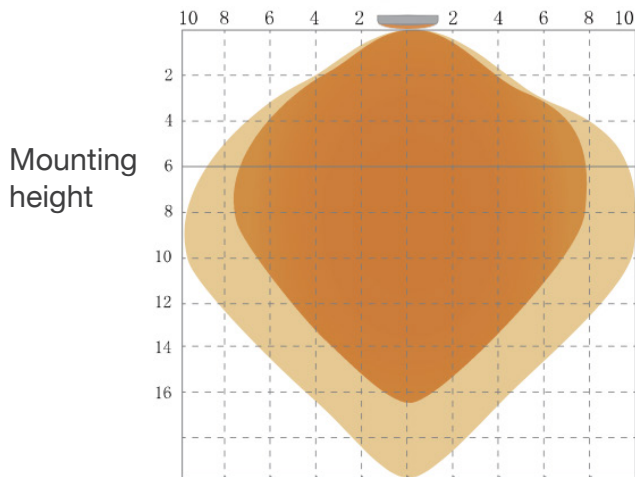


WIRING DIAGRAM

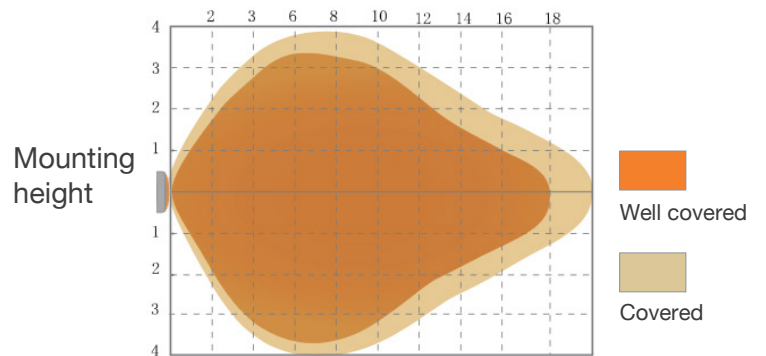


DETECTION COVERAGE

Ceiling Mounted



Wall Mounted

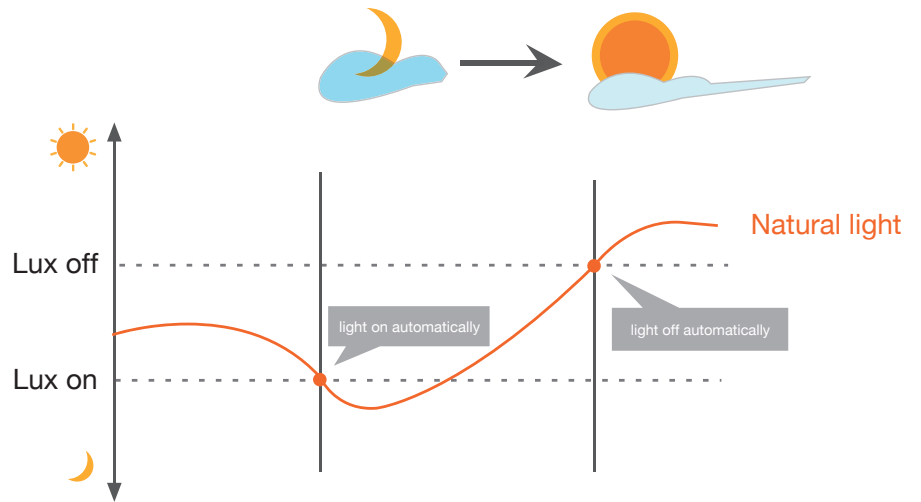


LUX ON/OFF

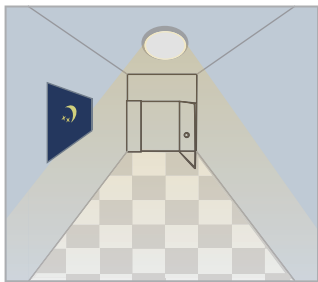
By using dual PD technology, the sensor can differentiate artificial light brightness from natural light once installed on the fixture, and will automatically turn off the light when ambient brightness exceeds preset lux level.

Preconditions to use the Lux-off function:

1. Stand-by period is +∞;
2. Stand-by dimming level is on 10%, 20%, 30%, or 50%;
3. Daylight threshold is on 10Lux, 30Lux, 50Lux or 100Lux.



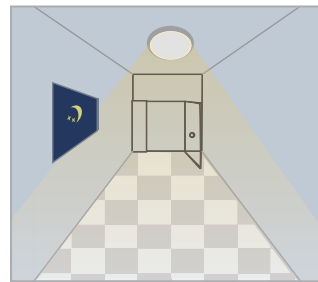
APPLICATION - Lux ON/OFF



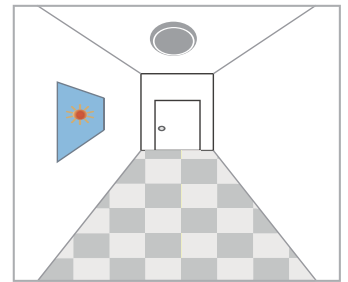
Light automatically on when the ambient brightness is lower than the preset lux level.



With insufficient ambient brightness, the light dims to 100% when motion detected.



The light dims to stand-by level if no motion detected after hold time.



Light off when ambient lux level is higher than the preset lux amount.

REMOTE CONTROL (HB01R)

OPERATING MANUAL

for Motion Sensor HB01DMS-C

Display Area

Main ON/OFF button
Press and hold until the brightness indicator light is on (First-row).
Press to turn on or turn off the fixture.

Press **HOLD TIME** to set hold time period: 10s, 1min, 10min or 30min.

Press **STANDBY DIM** to set standby dim level: 10%, 20%, 30% or 50%.

The **"TEST"** button is for testing purpose. Pressing this button, the sensor goes to test mode (Hold time is only 3s if motion detected).

MODE 1 or MODE 2 button
To set the mode, save all other settings first, then press and hold either MODE 1 or MODE 2 to remember the saved settings. To program additional sensors, press MODE 1 or MODE 2, and then press "SEND" to program that sensor.

Press **BRIGHTNESS** to set brightness level: 70%, 80%, 90% or 100%.

Press **SEND** to save settings after each change. The indicator light confirms the save setting.

Long press **DAYLIGHT** to activate the daylight control. Short press to set daylight threshold: 10Lux, 30Lux, 50Lux or 100Lux. By default, the daylight control disabled.

Press **SENSITIVITY** to set sensitivity level: 20%, 50%, 75% or 100%.

Press **STANDBY TIME** to set stand-by period: +∞, 1min, 30min or 60min.
Note: "+∞" means the light will remain at the standby dim level until motion is detected. When a time is selected, the fixture will turn off after the set time.

Press **RESET** to restore to default settings (Brightness 70%, hold time 10s, daylight threshold disabled, sensitivity 20%, stand-by dimming level 10%, and stand-by time +∞).
Note: Products with DIP switch will be controlled by DIP switches.

NOTES:

- The upper area of the remote control is Display Area; lower area is Button Area.
- Indicator lights will automatically turn off if not in use more than 10 seconds
- When using "On/Off" button: "On/Off", "Brightness", and "Send" buttons remain working. Other settings will be disabled.
- When using "Test" button: "Test", "Sensitivity", and "Send" remain working. Other settings will be disabled.
- You must press "Send" button to save your settings after each adjustment. Red indicator light on means successfully saved your settings.