

150W Flood Light



Ideal for outdoor applications such as parking lots, construction sites, storage and rail yards, industrial locations, marinas, billboard/sign illumination and more



TECHNICAL DATA



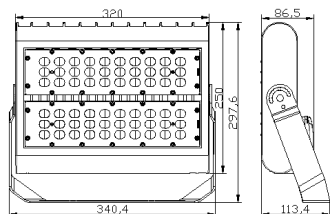
LIGHT SPECIFICATIONS

Lumens	18,752
Efficacy	123 lm/W
CCT	5000K
Beam angle	90 x 120°
CRI	82.3
Dimmable	0-10V dimmable
Rated hours	50,000
Warranty	10-year

APPROVALS AND LISTINGS

cUL	E352127
DLC	PRTPFUA

DIMENSIONS



ELECTRICAL

Wattage	150W
Voltage	120-277V
Power factor	0.93
THD	6.41
Operating temp	-40° to 55°C

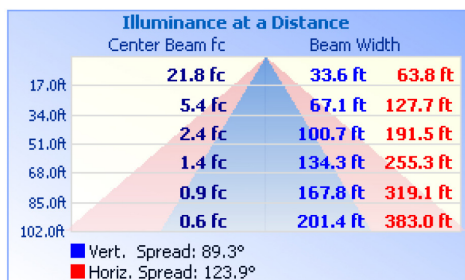
CONSTRUCTION

Housing	Aluminum
Finish	6mm, powder coat
Colour	Matte black
IP rating	IP65
Weight	13.4 -14.4 lbs
Carton qty	1

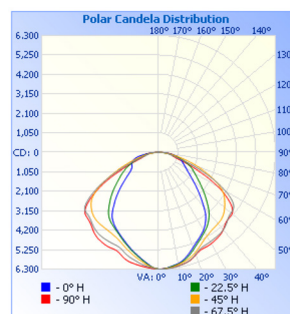
NOTES

1m-cUL listed cable included

ILLUMINANCE AT A DISTANCE



PHOTOMETRIC SPECS



Product #

FL01-150W-TR

WITH TRUNNION

Lumiled
Chips

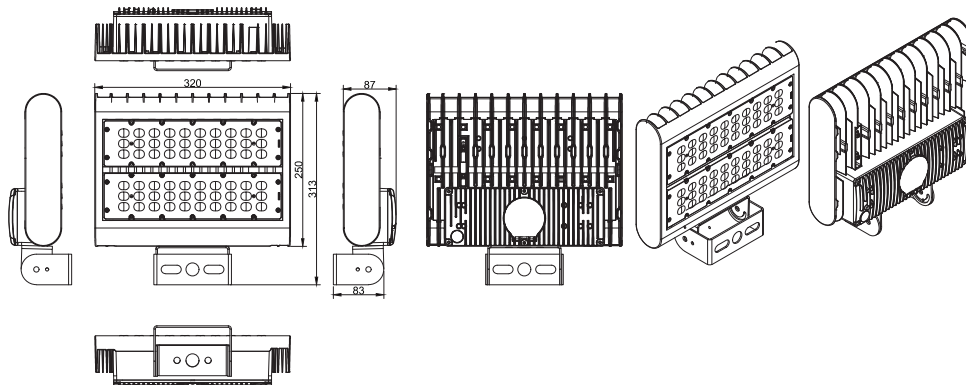
Large Thermal
Dissipation Area

High Grade
Polycarbonate
Optics (Type 3)



DIMENSIONS

Fixture



Product #

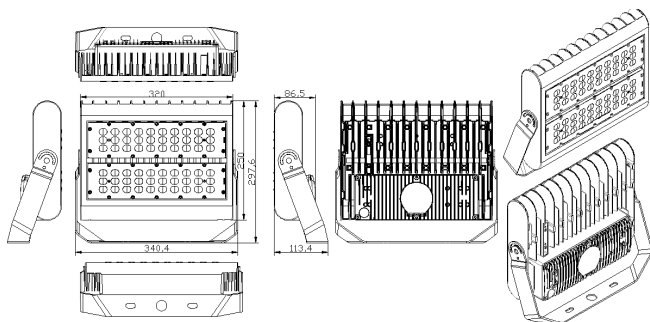
FL01-150W-HA

WITH HORIZONTAL ARM

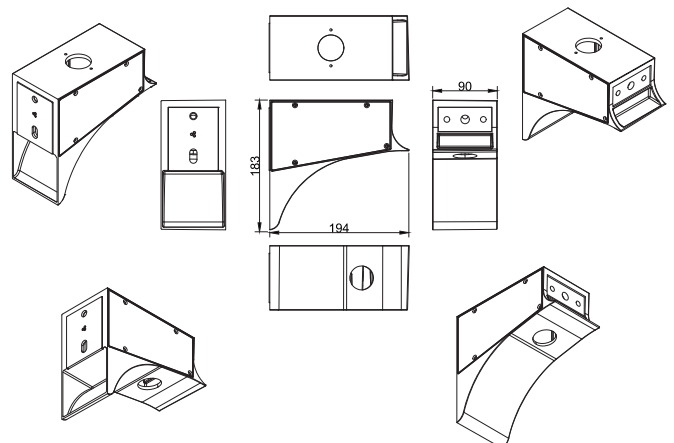


DIMENSIONS

Fixture



Horizontal Arm



150W Flood Light

Product # **FL01-150W-SF**

WITH SLIP FITTER



DIMENSIONS

