

Canopy Lights

INSTALLATION INSTRUCTIONS

Model	Input Voltage	Power Factor	Watt	Input Current	Weight
CP40W-40K	120-277VAC	≥0.9	40W	0.45A	2.6
CP45W-40K	120-277VAC	≥0.9	45W	0.45A	2.6
CP45W-40K-HV	347-480VAC	≥0.9		0.45A	2.6
CP75W-40K	120-277VAC	≥0.9	75W	1.0A	2.6
CP80W-40K	120-277VAC	≥0.9	80W	0.83A	4.7
CP80W-40K-347V	347-480VAC	≥0.9		0.83A	4.7

NOTES:

- An internal power-factor-corrected switch-mode driver allows this fixture to be used with any nominal 100-277V, 50/60Hz AC supply without any variation in light output.
- Suitable for use in the following locations:
 - Ambient Temp: -20~+40°C / Suitable for damp/wet locations
- Save these instructions for future reference.

WARNING: To avoid the risk of fire, explosion, or electric shock

- This product should be installed, inspected, and maintained by a qualified electrician in accordance with all applicable electrical codes.

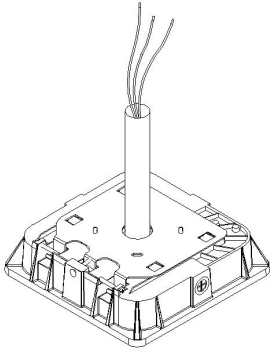
WARNING: To avoid electric shock

- Be certain electrical power is OFF before and during installation and maintenance.
- Luminaire must be connected to a wiring system with an equipment-grounding conductor.

WARNING:

- Make sure the supply voltage is the same as the rated luminaire voltage.
- Do not operate in ambient temperatures above those indicated on the luminaire nameplate.
- Keep lens tightly closed when in operation.

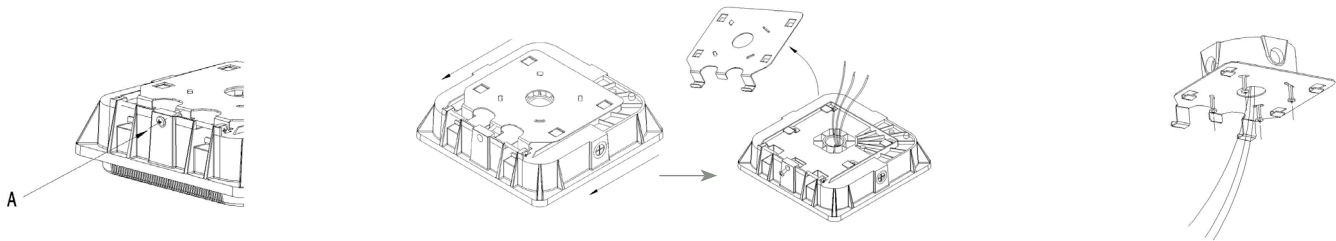
Pendant Mount Installation:



STEP 1. Pull the incoming power wires from the luminaire into the pendant (use 3/4" conduit), install the pendant into the threaded hole in the luminaire casting and securely tighten. Use waterproof silicone to prevent moisture intrusion. Attach the other end of the pendant to the junction box.

STEP 2. If the incoming power wires from the luminaire are longer than the pendant, make wiring connections in the junction box. If the wires are shorter than the pendant, pull wires from the junction box as required, and make wiring connections inside the pendant.

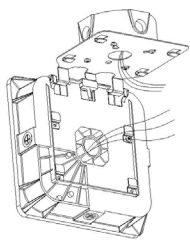
Junction Box Mount Installation:



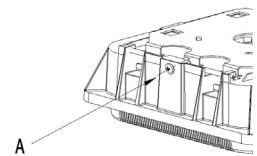
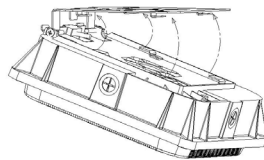
STEP 1. Loosen, but do not remove screw A which holds the mounting plate in place.

STEP 2. Slide the mounting plate toward Screw A, and then remove it from the luminaire body.

STEP 3. Pull the incoming power wires from the junction box through the center hole in the mounting plate. Then, attach the mounting plate to the junction box using appropriate fasteners.



Rotate luminaire housing up, then slide the housing back.

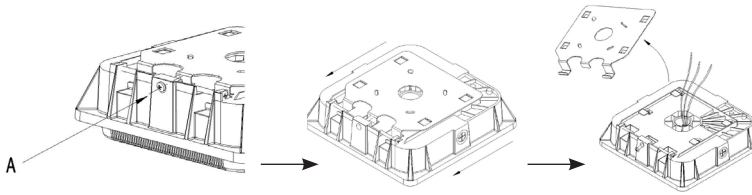


STEP 4. Hang the luminaire onto the mounting plate hooks, and then connect the black, white and yellow/green luminaire wires to incoming power wires (black to line, white to neutral, and yellow / green to ground). See wiring diagrams on the last page.

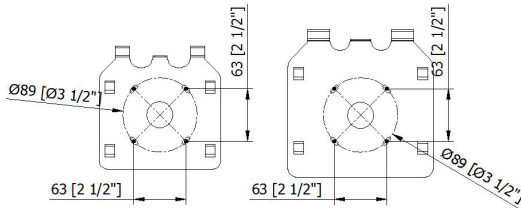
STEP 5. Rotate the luminaire body up towards the mounting plate, and slide the mounting plate hooks into the slots on the luminaire body. Then, slide the luminaire body away from screw A to securely engage the mounting plate hooks in the slots.

STEP 6. Retighten screw A to hold the mounting plate in place on the luminaire body.

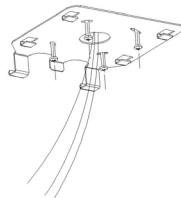
Ceiling Mount Installation:



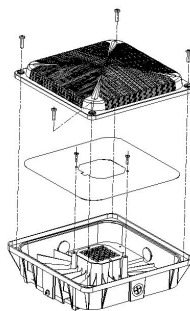
STEP 1. Slide the mounting plate toward Screw A, and then remove it from the luminaire body.



STEP 2. Drill four corresponding holes in the mounting surface. Use the drilling patterns.

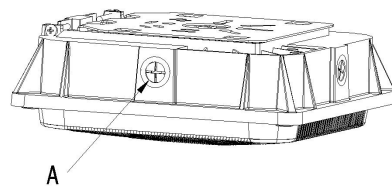


STEP 3. Attach the mounting plate to the mounting surface using appropriate fasteners.



STEP 4. Remove the polycarbonate lens and sheet metal reflector.

Note: Avoid touching the LEDs, or irreversible damage may occur.



STEP 5. Pull the incoming power wires attached to the surge protector from the back of the housing.

STEP 6. Remove one of the 1/2" conduit plugs from the side of the luminaire housing.

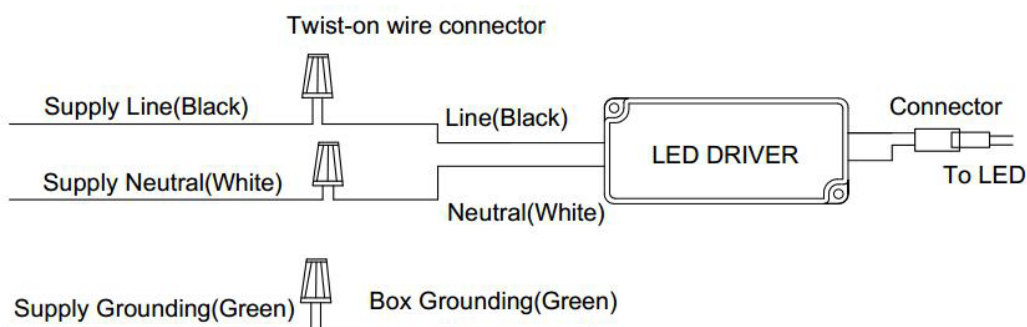
STEP 7. Insert threaded conduit or a conduit connector into the 1/2" hole, and securely tighten. Use waterproof silicone to prevent moisture intrusion.

STEP 8. Insert threaded conduit or a conduit connector into the 1/2" hole, and securely tighten. Use waterproof silicone to prevent moisture intrusion.

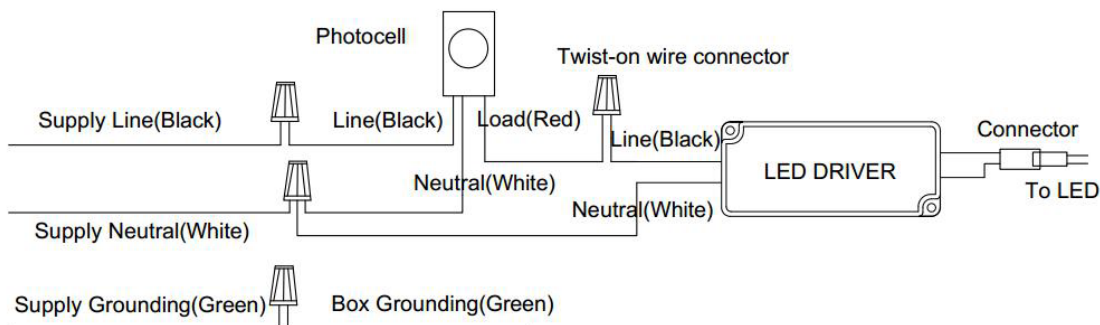
STEP 9. Reattach the sheet metal reflector and polycarbonate lens to the luminaire housing.

Mounting Using 1/2-inch Plugs in the Side:

- STEP 1.** DO NOT touch the yellow portion of the LED array or damage may occur.
- STEP 2.** Remove the screws attaching the lens and reflector to the housing.
- STEP 3.** Remove 1/2-inch plug from the direction you intend to feed conduit.
- STEP 4.** Use EVA gasket provided in the accessory pack to cover the 3/4-inch threaded hole on the back plate.
- STEP 5.** The fixture is best mounted by drilling through the back of the fixture, securing it to the mounting surface by using the appropriate mounting hardware. All unused holes must be plugged. Use waterproof silicone to ensure a vapour tight is sealed properly.
- STEP 6.** Complete the wiring to the incoming power and ground.
- STEP 7.** Replace the reflector and lens diffuser. Fasten the lens with twisting force no less than 13kgf.cm/1.275N.m.
- STEP 8.** Connect power as shown in the layout below.



Wiring layout without Photocell



Wiring layout with Photocell

After Installation:

- Ensure the light fixture is firmly affixed.
- Ensure all power wires are connected correctly.
- Turn on power and check light fixture for proper operation. If not, turn off power and contact your local dealer.

WARNING: Luminaire must be installed by a qualified professional.