



Product Features

- 360° illuminance
- Can be with Clear or frosted PC cover.
- 12W-120W lamp can be with AC100-277V internal driver
- Isolated driver for 12W-120W, non-isolated driver for 100W-120W
- 12W-120W sealant pouring for whole driver and lamp plastic housing
- Long lifespan and good heat dissipation
- Direct replacement for Metal Halide with easy installation
- Fits many different fixtures to replace traditional lamps



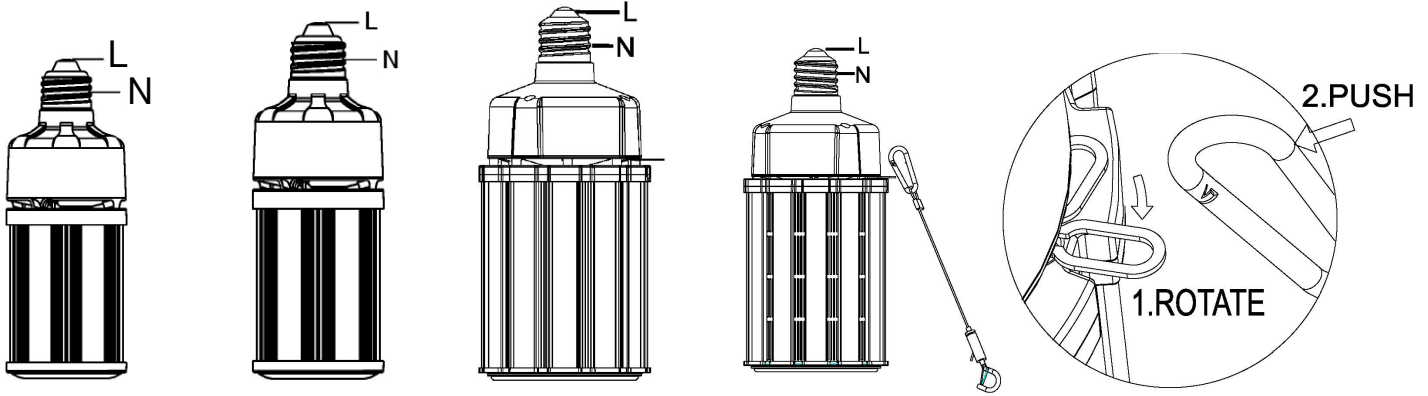
Power	12W	18W	27W	36W
Volume (cm)	30 x 18 x 18	32 x 19 x 19	34 x 20 x 20	38 x 20 x 20
Power	45W/54W		100W	120W
Volume (cm)	42 x 21 x 21		44 x 24 x 24	44 x 26 x 26

CLW08 Series Installation Instruction Manual

WARNING: MAKE SURE THE POWER IS OFF BEFORE INSTALLATION BEGINS.

DO NOT OPERATE WITH EXISTING BALLAST - LINE VOLTAGE ONLY. Not for use with electric generators. Please avoid using the LED lamp in environments where there is smoke, sulfur, and corrosive substances. If used in such environment, make sure the led fixture is well protected by an enclosed lampshade whose dimensions are no less than below size, and whose material is either glass or semi-glass, semi-metallic. Surface of the lampshade should not have any covering which prevents heat dissipation.

1. Turn off the power switch.
2. Unscrew the CFL, MHL, HPS, etc. (Figures 5, 6).
3. Take out LED corn light and screw on (Figures 1, 2, 3). **Note:** Make sure to take off the ballast before installing LED corn light, otherwise the ballast will produce the resonance of high voltage and make the LED corn light breakdown.
4. If security rope is provided, fix the rope on the lamp and then fix the wire on the other end of the shell (Figure 4).
5. Turn on the power switch.

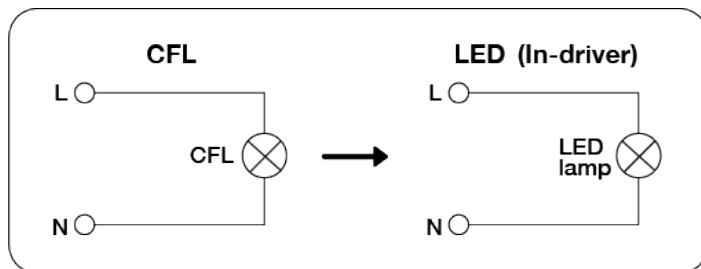


Figure(1)

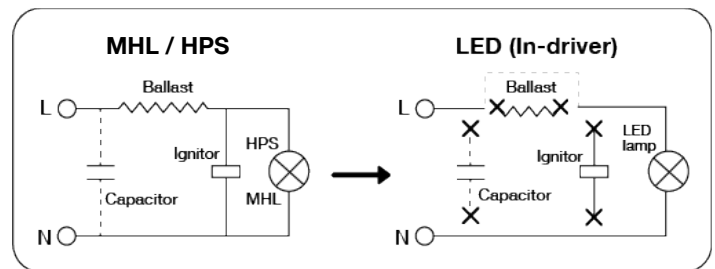
Figure(2)

Figure(3)

Figure(4)



Figure(5)



Figure(6)

WARNING: ADDED WEIGHT OF THE DEVICE MAY CAUSE INSTABILITY OF A FREE-STANDING PORTABLE LUMINAIRE. USE ONLY WITH A PORTABLE LUMINAIRE THAT IS PROVIDED WITH A SHADE. SUITABLE FOR USE IN ENCLOSED LUMINAIRES. NOT FOR EMERGENCY LIGHTING.

AVERTISSEMENT: LE DISPOSITIF CONSTITUE UN POIDS SUPPLEMENTAIRE CE QUI PEUT CAUSER L'INSTABILITE D'UN LUMINAIRE PORTATIF AUTONOME. UTILISER UNIQUEMENT AVEC UNE LAMPE DE TABLE DOTEE D'UN ABAT-JOUR. ADECUADA PARA USARSE EN LUMINARIAS CERRADAS. NE CONVIENT PAS AUX SORTIES DE SECOURS.