


# Backlit Connectors

For use with Architectural Linear Strips


Each Backlit Connector features a polycarbonate lens, white aluminum housing, and is individually powered for a seamless lighting design

**NOTE:** Connector Kits (**AL-C-KIT**) are required to attach Backlit Connector joints and row mounting fixtures



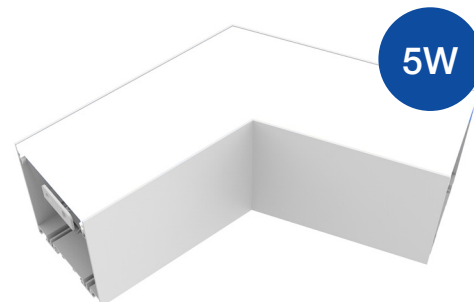
 **X Connector**  
AL-X-CON  
Required: 4 x AL-C-KIT




 **T Connector**  
AL-T-CON  
Required: 3 x AL-C-KIT

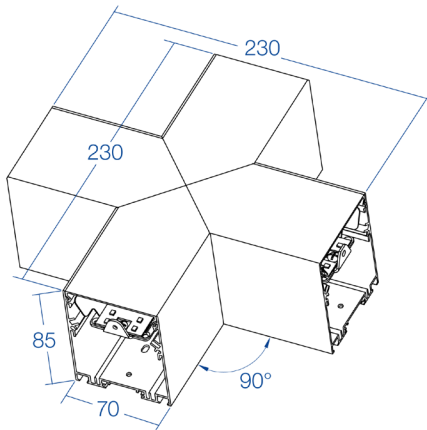


 **90° Connector**  
AL-L-CON  
Required: 2 x AL-C-KIT

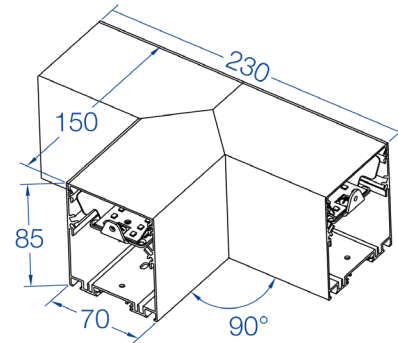


 **120° Connector**  
AL-120-CON  
Required: 2 x AL-C-KIT

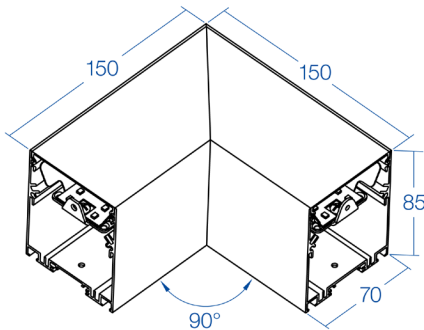
DIMENSIONAL DRAWINGS



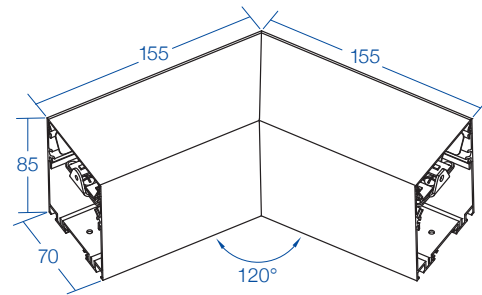
AL-X-CON



AL-T-CON



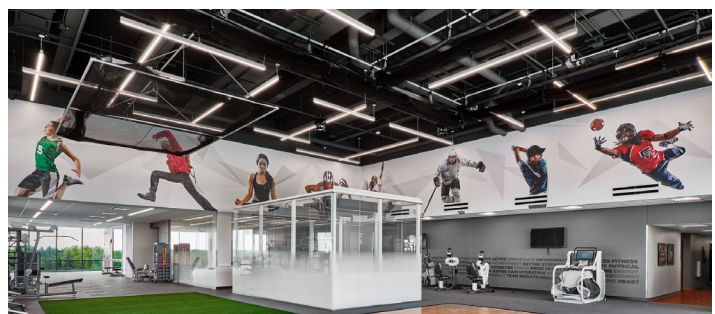
AL-L-CON



AL-120-CON



Each backlit connector includes LED light engine for a seamless lighting design



HEAD OFFICE: 8 - 540 Jamieson Pkwy, Cambridge, ON, N3C 0G5 | [orders@csc-led.com](mailto:orders@csc-led.com) | (519) 880 - 9833