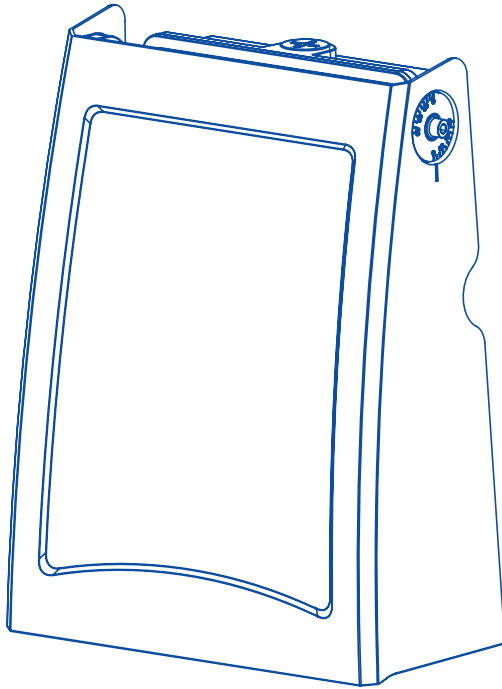




AWP03 Wall Pack

Installation Instructions



WARNING: Ensure power is off before installation, wiring, or performing any maintenance on the fixture.

PRIOR TO INSTALLATION

IMPORTANT: Read all instructions carefully before installing or performing any maintenance on these fixture(s).

- This fixture must be wired in accordance with all local electrical code and applicable local codes and ordinances.
- Proper grounding is required to ensure personal safety. Carefully observe the correct grounding procedure under the installation section.
- Ensure power is off prior to installing or servicing.
- Check that voltage is compatible with fixture driver. Only use approved connectors for all electrical connections.

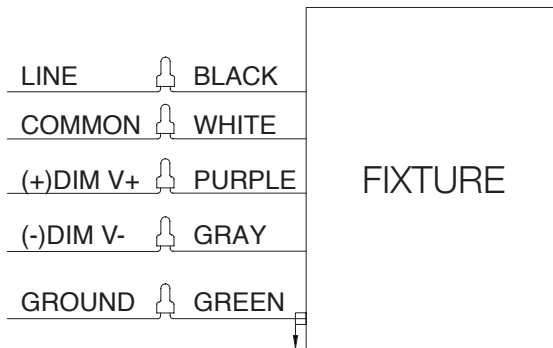
WIRING INSTRUCTION

WARNING: Turn off power before connecting wires

Black wire connects to L, White wire connects to N, Green wire connects to GROUND.

For 0-10V dimming, the wiring direction is as follows:

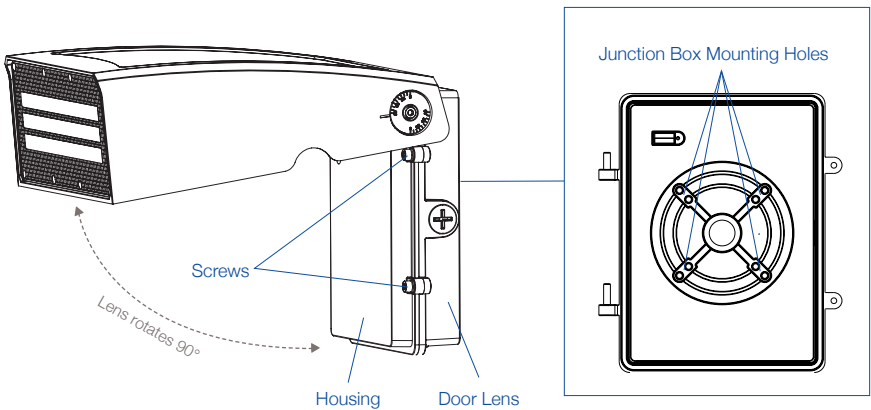
1. Turn off the power.
2. Connect the BLACK wire to LINE.
3. Connect the WHITE wire to COMMON.
4. Connect the GREEN wire to GROUND.
CAUTION: Do not connect the GRAY (-)DIM V- wire to GROUND.
5. Connect the PURPLE wire to (V+) DIM.
6. Connect the GARY wire to (V-) DIM.



INSTALLATION

NOTE: The fixture must be mounted with the lens facing down

1. Unscrew door with Philips screwdriver by loosening the 2 screws. Confirm junction box size and junction box mounting provisions to that of the light fixture.
2. Attach the light fixture to the junction box or mounting surface.
3. Attach the appropriate wires to the light fixture wires, green to green, black to black, and white to white. Secure each wire pair with a wire nut.
4. Close the door and tighten both screws on the door lens. Nothing should be trapped in the gasket sealing area when the door is closed.
5. Add a bead of silicone between fixture base and wall to prevent any possible water ingress to fixture driver box. **Failure to do so may void warranty.**

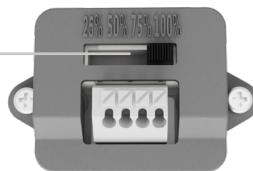


WATTAGE TUNABLE SWITCH

Only applicable to wattage tunable models

Original Wattage	DIP Position	Input Wattage	Lumens (approx.)
40W	100%	40W	5,200 lm
	75%	30W	3,900 lm
	50%	20W	2,600 lm
	25%	10W	1,300 lm

Slide the switch left or right to select the desired wattage



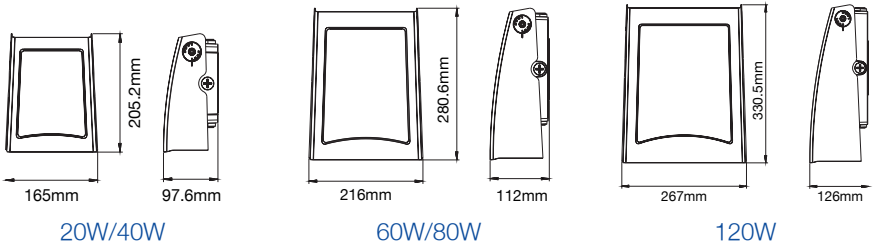
NOTES FOR MAINTENANCE

- Ensure the fixture is properly grounded.
- Turn the power off before performing any maintenance. Failure to do so may result in injury.
- Wait for the fixture to cool completely before performing maintenance.
- This fixture must be installed and maintained in accordance with local code by a professional who is familiar with the construction, operation, and hazards that may be involved.

NOTES FOR CLEANING

- Ensure the fixture has completely cooled before touching it.
- Do not clean or perform any maintenance while the fixture is on.
- Only clean the lens and fixture with a non-abrasive glass cleaning solution.
- Do not open fixture and touch/clean the LED chips.

DIMENSIONAL DRAWINGS



Questions or Concerns? We are happy to help!

Email Us: info@csc-led.com

Call Us: 1-888-900-9885