

Pole Top Area Light

75W | 4000K | 120-277V



Elegant look and design

Ideal for parking lots, pathways, parks, retail settings, and more

Rotatable 30°

Twist Lock Photocell Receptacle
and Photocell Included

Shorting cap available (sold separately)



High Efficiency Optics
with type 5 distribution

Polyester
Powder-Coat Finish
(Bronze)

Fits Up To 3" OD pole

Instant Start

Optional Accessories (sold separately)
Shorting Cap (JL-2080)



TECHNICAL DATA



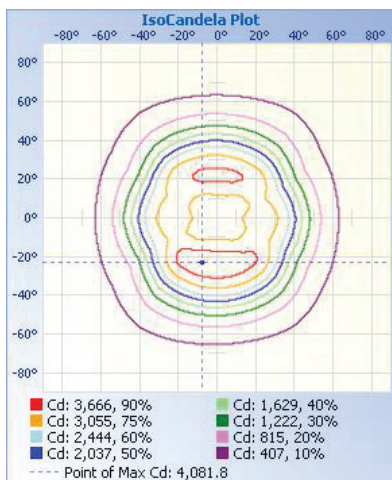
LIGHT SPECIFICATIONS

Lumens	9,117 lm
Efficacy	120.36 lm/W
CCT	4000K
CRI	80
Distribution	Type V
L70 Life	92,000 hours
Warranty	5-year

APPROVALS AND LISTINGS

cUL	E482965
DLC Premium	PL0MV4CD46G6

ISOCANDELA PLOT



ILLUMINANCE AT A DISTANCE

Distance	Center Beam fc	Beam Width
17.0ft	10.4 fc	29.6 ft 22.5 ft
34.0ft	2.59 fc	59.1 ft 45.0 ft
51.0ft	1.15 fc	88.7 ft 67.5 ft
68.0ft	0.65 fc	118.3 ft 90.0 ft
85.0ft	0.41 fc	147.8 ft 112.5 ft
102.0ft	0.29 fc	177.4 ft 135.0 ft

Vert. Spread: 82.0°
Horiz. Spread: 67.0°

ELECTRICAL

Wattage	75W
Voltage	120-277V
Power Factor	0.9
THD	15%
Operating temp	-40 to 60°C

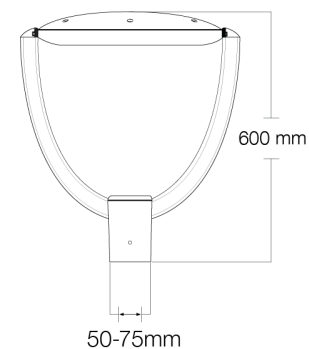
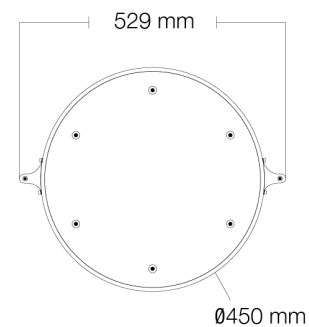
CONSTRUCTION

Housing	Aluminum alloy
Finish	Polyester powder-coat
Colour	Bronze
IP rating	IP65
Weight	14.33 lbs
Carton qty	1

ACCESSORIES (SOLD SEPARATELY)

Shorting Cap	JL-2080
--------------	---------

DIMENSIONS



Western Canada Warehouse: 121-1647 Broadway Street, Port Coquitlam, BC V3C 6P8 | ordersbc@csc-led.com